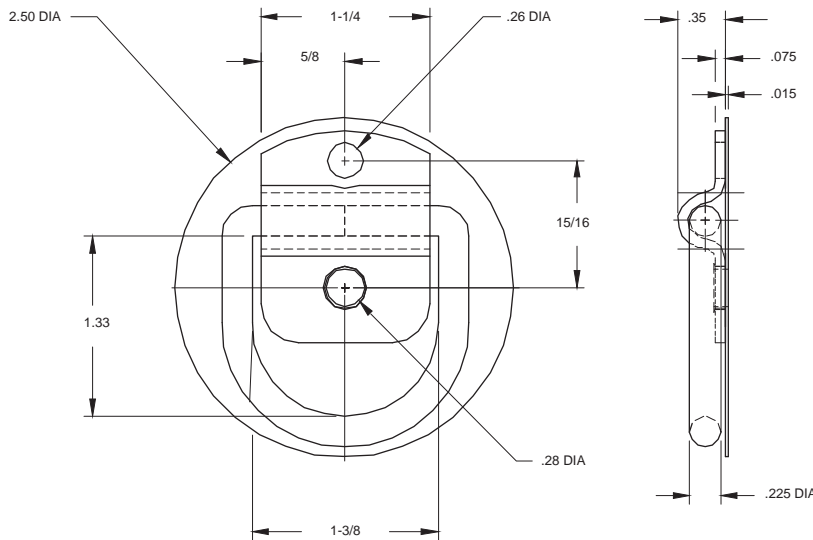


## 300-SP Ring & Clamp

Steel construction/zinc finish  
Butt weld ring  
1,500 lbs break strength capacity\*  
500 lbs working load limit\*



S300SPXXZNXX

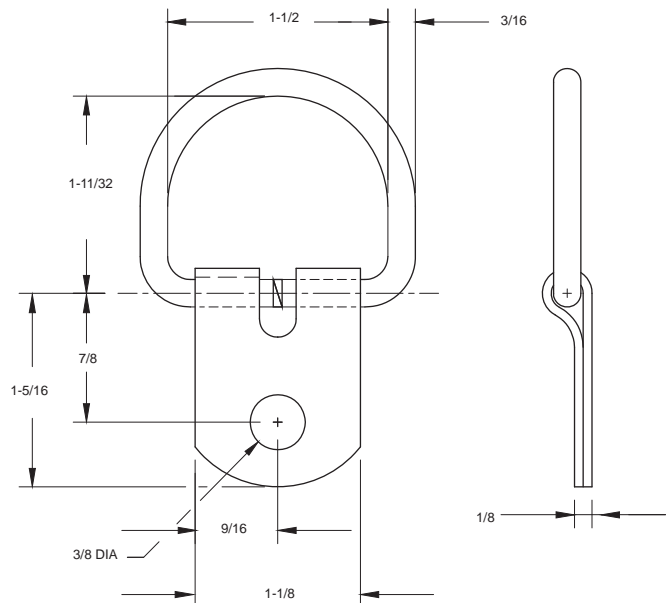


## 300-U Ring & Clamp

Stainless steel construction/plain finish  
Butt welded ring  
1,200 lbs break strength capacity\*  
400 lbs working load limit\*



S300UXXSXX



\* **Rating Parameters:** To provide a reliability factor to manufacturers for the differences between static testing and dynamic (real world) loading on load securement components, rating parameters have been established. Breaking Strength Capacity is the maximum load that an assembly will withstand before failing. Working Load limit (WLL) is defined as the maximum load that a component or assembly should receive during regular use. WLL is typically calculated as one-third (1/3) of Breaking Strength Capacity. (CVSA/FHWA out of service criteria) A working knowledge of the breaking strength capacity & working load limit (WLL) in securement assemblies is necessary to properly securing a load.