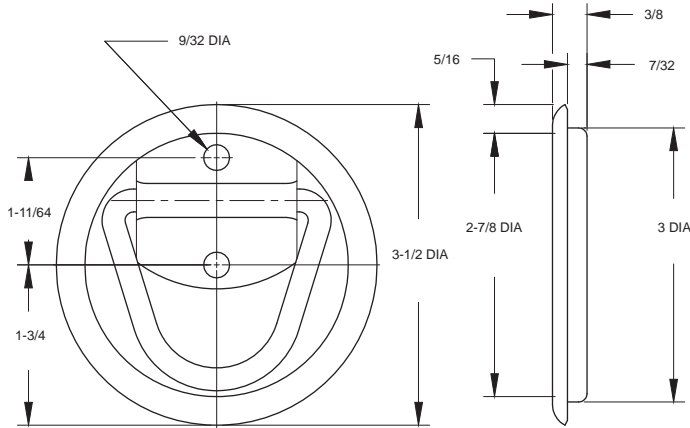


39 Tie Down

Steel construction/zinc finish
Used as part of the 39-F assembly
1,200 lbs break strength*
400 lbs working load limit*

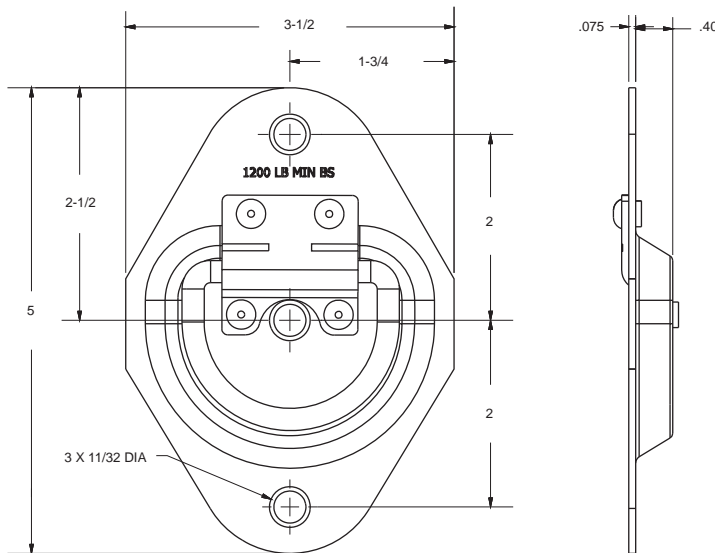


F39XXXXXZNXX

The No. 39 Tie-Down is designed to be a low profile anchorpoint, having only a 5/32" protrusion

39-AP Tie Down

Steel construction/zinc finish
1,200 lbs break strength*
400 lbs working load limit*



S39-APXXZNXX

* **Rating Parameters:** To provide a reliability factor to manufacturers for the differences between static testing and dynamic (real world) loading on load securement components, rating parameters have been established. Breaking Strength Capacity is the maximum load that an assembly will withstand before failing. Working Load limit (WLL) is defined as the maximum load that a component or assembly should receive during regular use. WLL is typically calculated as one-third (1/3) of Breaking Strength Capacity. (CVSA/FHWA out of service criteria) A working knowledge of the breaking strength capacity & working load limit (WLL) in securement assemblies is necessary to properly securing a load.