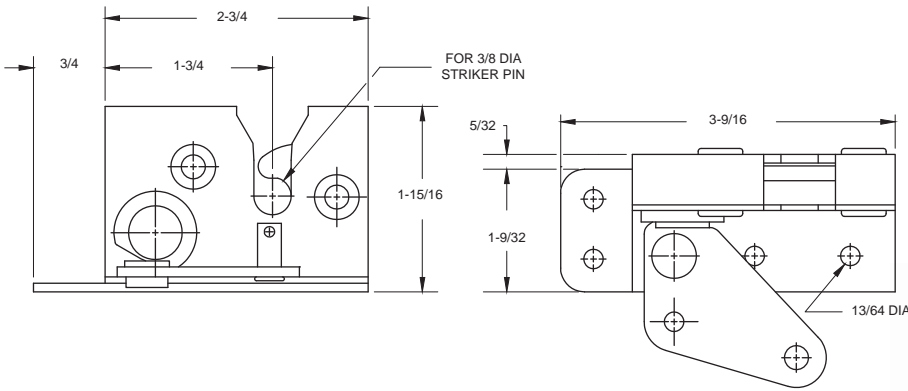


### 350 Rotary Latch

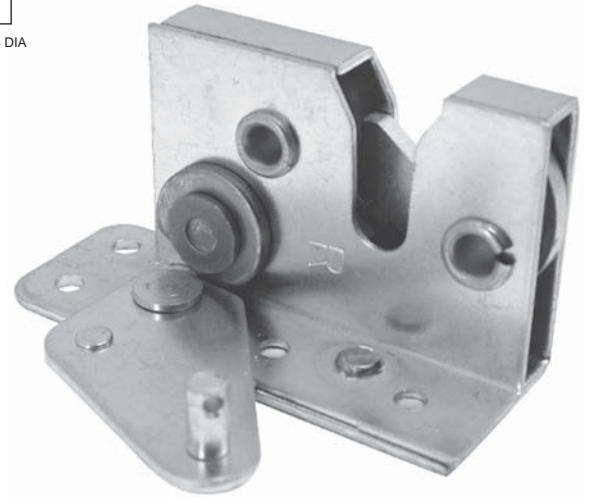
Steel construction/zinc finish  
Left or right hand  
Includes actuator arm  
Custom strikers available sold seperately



350 Striker  
F350STDZXNXX



350-1 Striker  
F350-1XXZNXX



F350XXRXZNXX

### 425-2 Mini Rotary Latch

Steel construction/black e-coat finish  
over mold cam  
Threaded rivet sleeves, M6x1  
Approximate weight .24 lbs



S425-2DXBEXX

