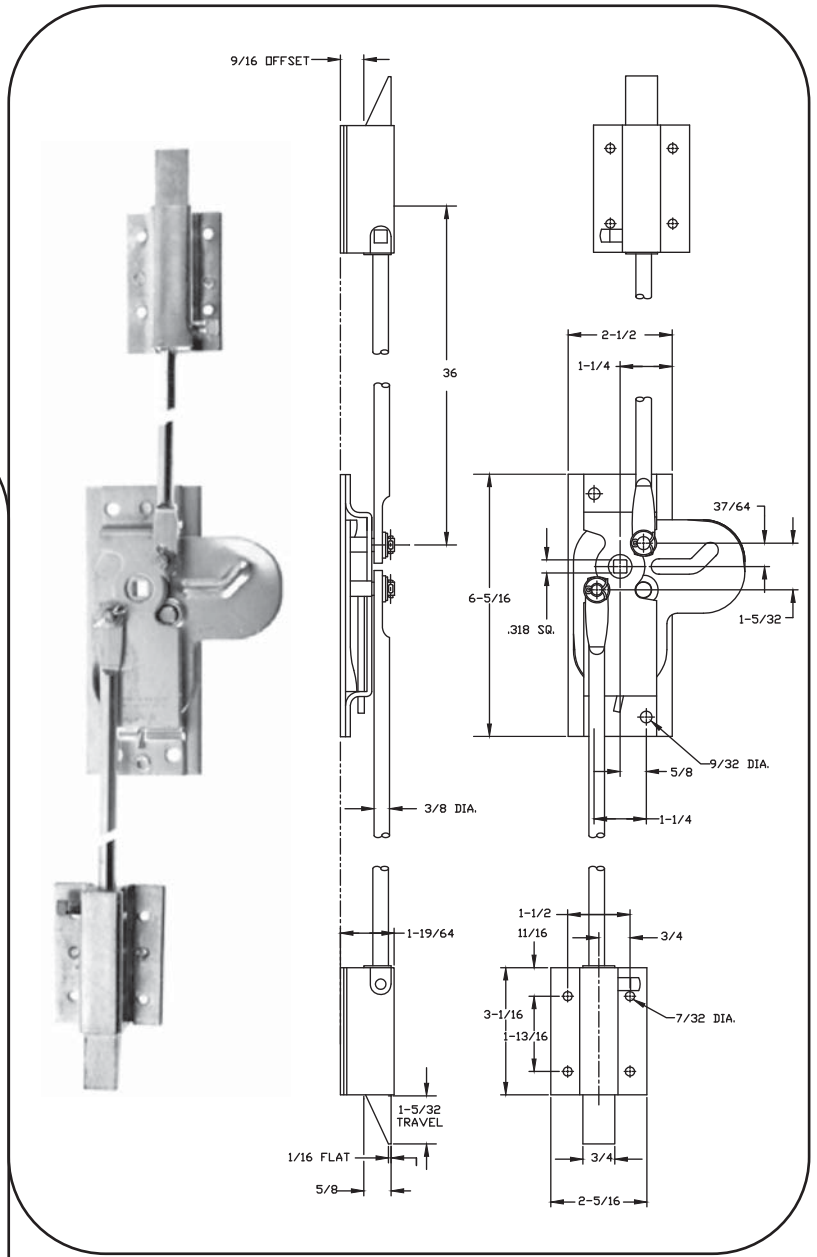
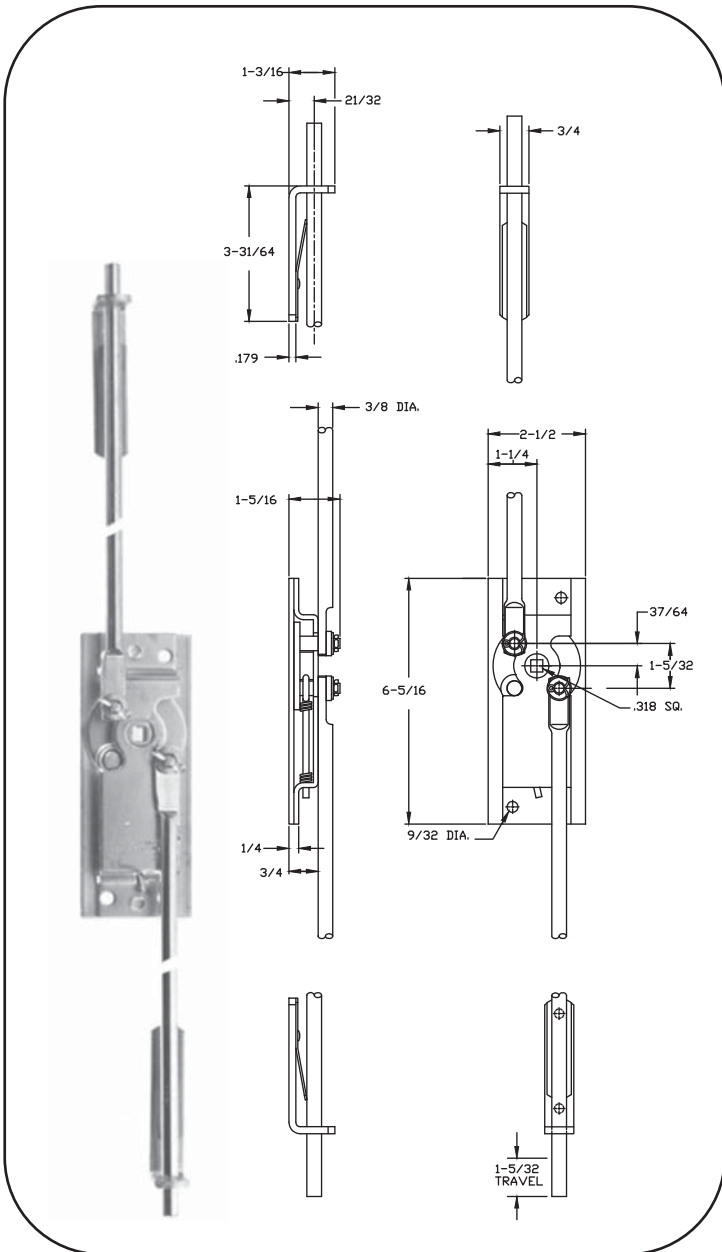


105/107 Lock Kit

Steel construction/zinc finish
(1) washer kit
Accepts 5/16" square shank

105-KIT



107-KIT



90 FLUSH BOLT
(F90.25FXZNXX)



121 OFFSET SLAM BOLT
(S121SCOXZN01)



120 FLUSH BOLT
(F120XXFXZNXX)



110 FLUSH BOLT
(F110XXOXZNXX)

Optional Bolt Selections

Components to be used with 2pt & 3pt Lock Kits



105 ROD GUIDE
(F105RGXXXXXX)



105 WIDE ROD GUIDE
(S105RGXAXXWB)



105-ES ROD GUIDE
(S105RGXXZNES)

Optional Rod Guides



105 ROD
OPTIONAL LENGTHS
AVAILABLE



105-ES ROD
OPTIONAL LENGTHS
AVAILABLE

Optional Rods