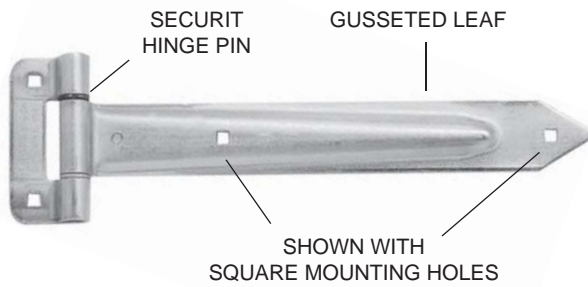


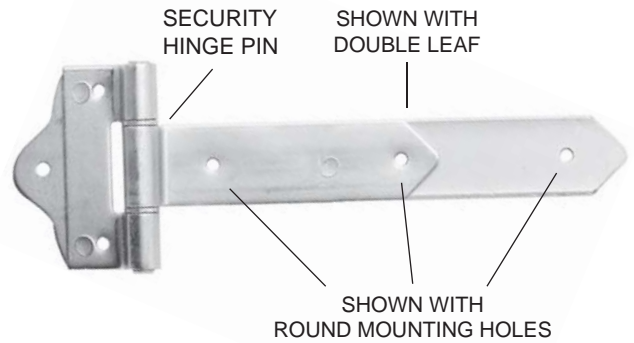
Hinge Leaf

Our ES-style hinge leaves are recognized by its gusseted leaf. This gusset provides added strength & durability. Our Classic style leaves are available in a variety of widths ranging from 1-3/4" to 2-1/4". Both Classic & ES style leaves are available up to 20" in length.



Hinge Butt

Our hinge butts are not limited to specific hinge styles nor families. We offer the following butt styles: narrow, reversed, scalloped. Inquire about a specific butt/-leaf combination.

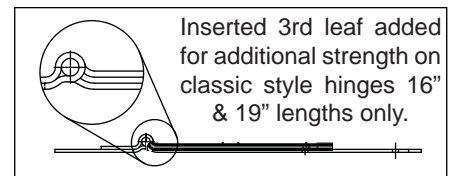
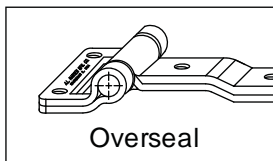
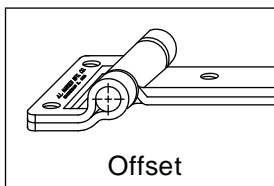


Hinge Pin

We offer a wide variety of hinge pin styles and materials, from removable & non-removable, steel, stainless steel, brass & our free flow security hinge pin.

ES-Style Hinge

Classic Style Hinge



NARROW



REVERSE



OVERSEAL



REVERSE-OVERSEAL



SQUARE



SCALLOPED-OVERSEAL

Hole Patterns

We offer our hinges with or without holes, square holes, round holes, slotted holes, & holes of various sizes & placement.

Finish

The following are just some of the finishes available on hinges. We offer various zinc finishes, powder coat, e-coat, electro-polished & anodized finishes.

Offset/Overseal

We offer various offsets & overseals on our hinges. Speak with your sales representative today on how our hinges can fit your application.

Security Hinge Pin

A. L. Hansen's security hinge pin provides added security and improved appearance & reduced maintenance. Our security hinge pin has a washer which is formed as part of the pin. This allows us to provide a flush hinge pin, eliminate unsightly welds or stake marks, and rule out any possibility of removing the pin by driving it thru the hinge. Our free flow finish is a standard feature on virtually all of our steel hinges. It provides more than 500 hours of salt spray protection and reduces the need for grease zerks and bronze bushings. This is achieved by a process of applying a blend of solid film lubricants in a heat cured, organic resin binder leaving a thin, dry bonded lubricating coating.

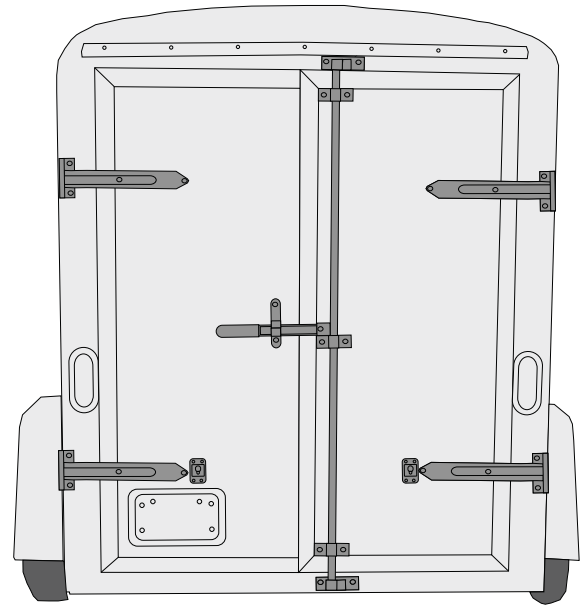
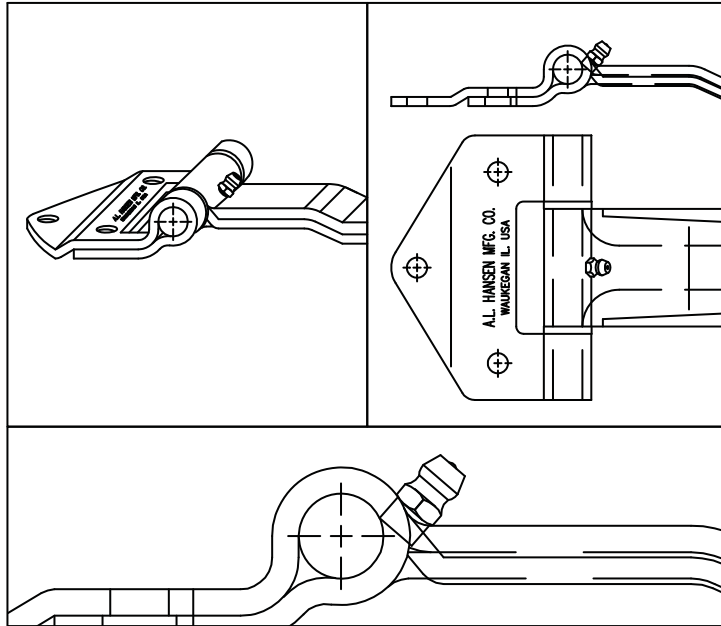


Functional Property	ASTM/Categories	Comments/Results
Color/Appearance		Smooth, Matte Grey/Black
Pencil Hardness	ASTMD-3363	5H-8H
Abrasion Resistance/Tabor Abras. Method	ASTMD-4060	75 mg, 1000 cycles
Endurance Life/Falex Method	ASTMD-2625 (A)	> 450 minutes
Load Carrying/Fales Method	ASTMD-2625 (B)	> 2,500 lbs.
Adhesion	ASTMD-2510 (A)	Pass
Adhesion	ASTMD-3359 (A)	Pass
Adhesion	ASTMD-3359 (B)	4B or Better
Thermal Stability	ASTMD-2511	Pass
Outgassing-Vacuum	ASTME-595	5×10^3
Fluid Resistance-ASTM D-2510	1,1,1-Trichloroethane	Pass
	Cleaning compound, MIL-C-372	Pass
	JP-4 JetFuel, MIL-T-5624	Pass
	Methylene Chloride	Pass
	VM & P Mineral Spirits	Pass
	Hydrochloric Acid (15%)	Pass
	Sulfuric Acid (50%)	Pass
	Sodium Hydroxide (25%)	Pass

This test information was provided by our supplier and has been reproduced here as a general information guide.

Grease Zerk Fitting

A. L. Hansen offers an optional grease zerk fitting for our hinges which will satisfy your lubrication needs. Our grease zerks are zinc plated steel with a stainless steel ball check and spring for corrosion resistance. Check with your sales representative about having a zerk fitting added to your hinge today.



Hinge Features

A. L. Hansen is a leading manufacturer of hinges for the commercial transportation & industrial markets. Offering a wide variety of hinge styles, materials and options. Limited only by the imagination we can develop a hinge to satisfy all your hinge needs. Whether your looking for a standard flush hinge, a hinge with an offset, over-seal, or a reverse butt, look to A. L. Hansen first.

