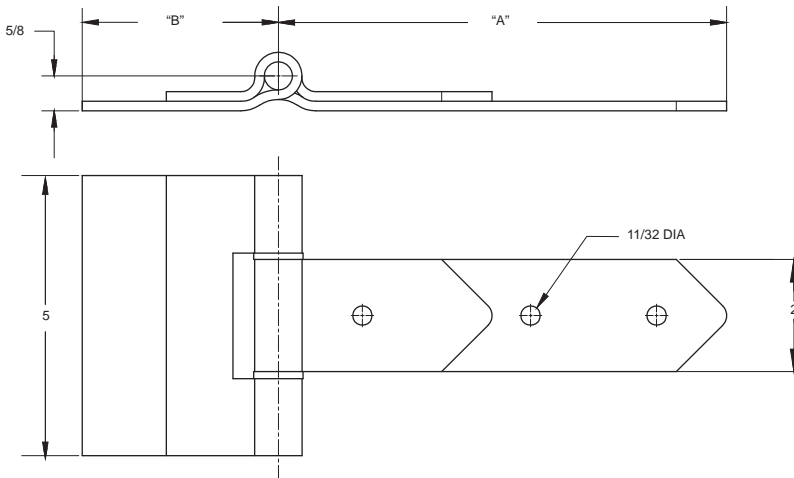


A-Type Hinge

- Steel construction/zinc finish
- Security hinge pin
- Available in aluminum
- Available in stainless steel
- Available with offset
- Available with round or square mounting holes
- Available inserted 3rd leaf on 16" & 19" lengths only



S12-AXFXZNXX

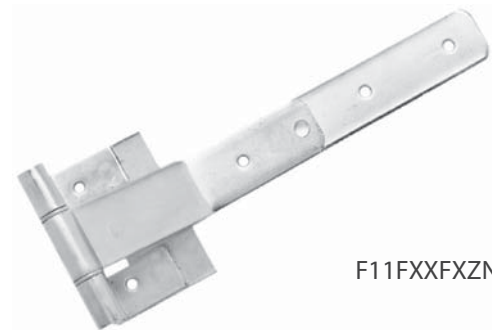


	A	B
8-A	8	3-1/2
12-A	12	3-1/2
16-A	16	5-9/32
19-A	20	5-9/32

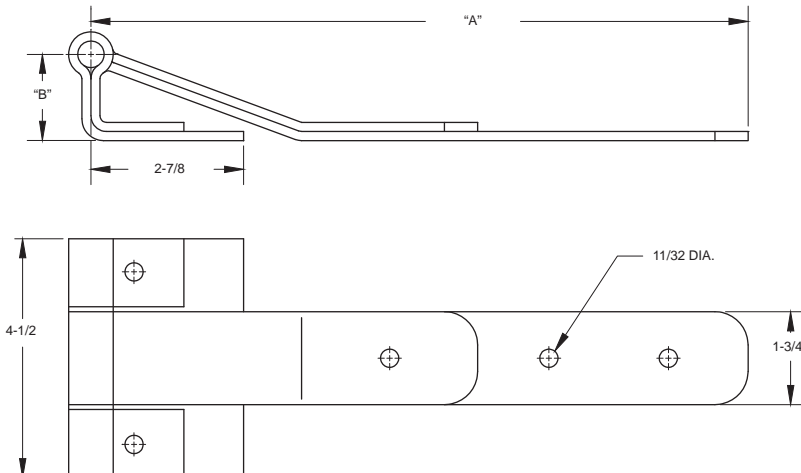
All dimensions are in inches

F-Type Hinge

- Steel construction/zinc finish
- Security hinge pin
- Available in aluminum
- Available in stainless steel
- Available with offset
- Available with round or square mounting holes



F11FXXFXZNXX



	A	B
11-F	12-3/8	1-5/8
16-F	16	1-1/2

All dimensions are in inches