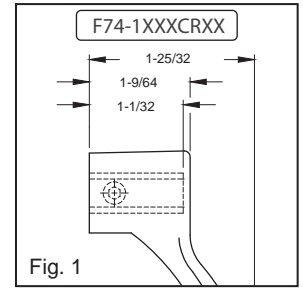
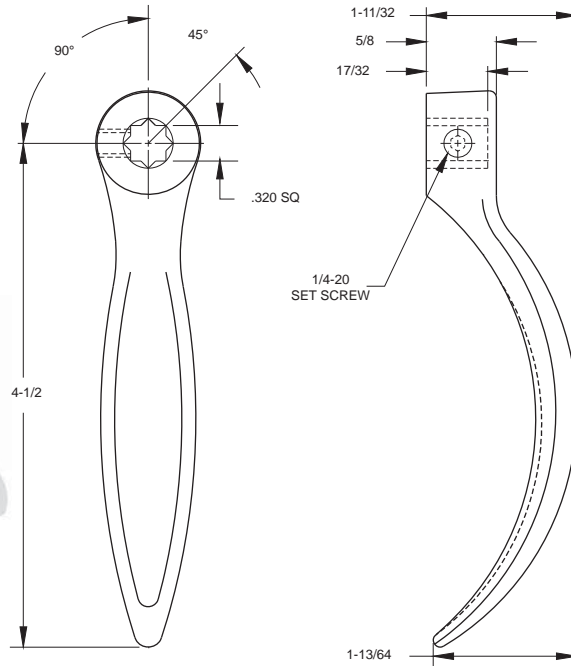


74 Inside Handle

Zinc die cast construction
 Accepts 5/16" square shank
 Available with plain finish
 Available with chrome finish
 Available with set screw
 Available with extended head (see fig.1)



F74XXXXXCRXX

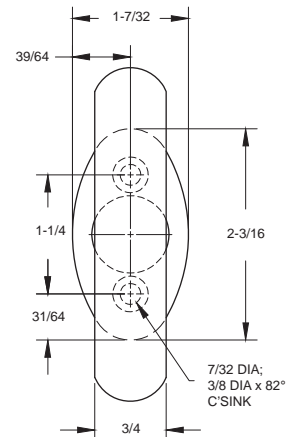
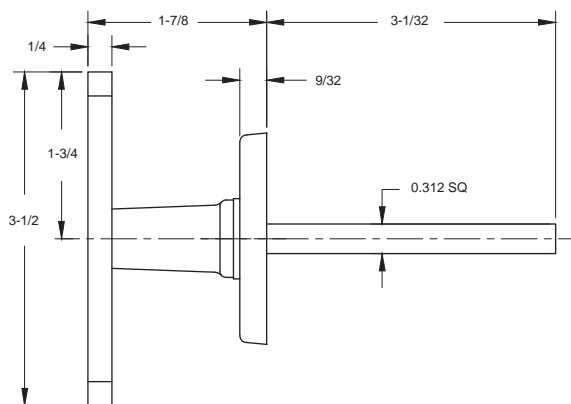


75 "T" Handle

5/16" square shank
 360° rotation
 Available in steel construction/zinc finish
 Available in stainless steel
 Available with various shank lengths
 Available with/without threaded shank
 Available with gasket



F75XXXXXZNXX



78 "T" Handle

Steel construction/zinc finish
 5/16" square shank
 Available in stainless steel
 available with various shank lengths



F78TXXXXZNXX

