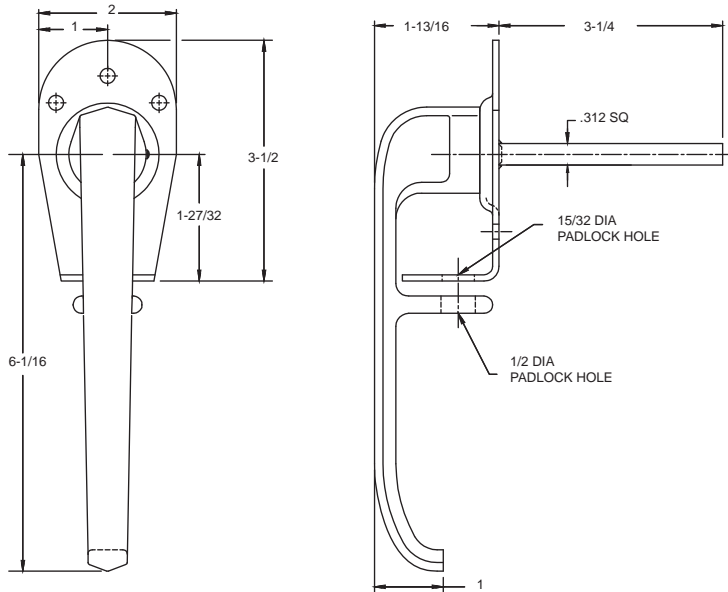


70 Padlocking Handle

- Cast iron/steel construction/zinc finish
- 5/16" square shank
- Available in stainless steel
- Available with various escutcheons (see below)
- Available with various shank lengths
- Available blind mount
- Available with gasket



F70XXXXXZNXX



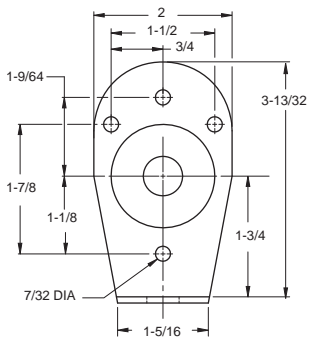
Optional Escutcheon



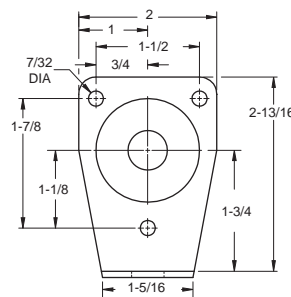
ZN-323862

70 & 73 Handle Escutcheons

- Available in steel construction/zinc finish
- Available in stainless steel



ZN-323261



ZN-323862