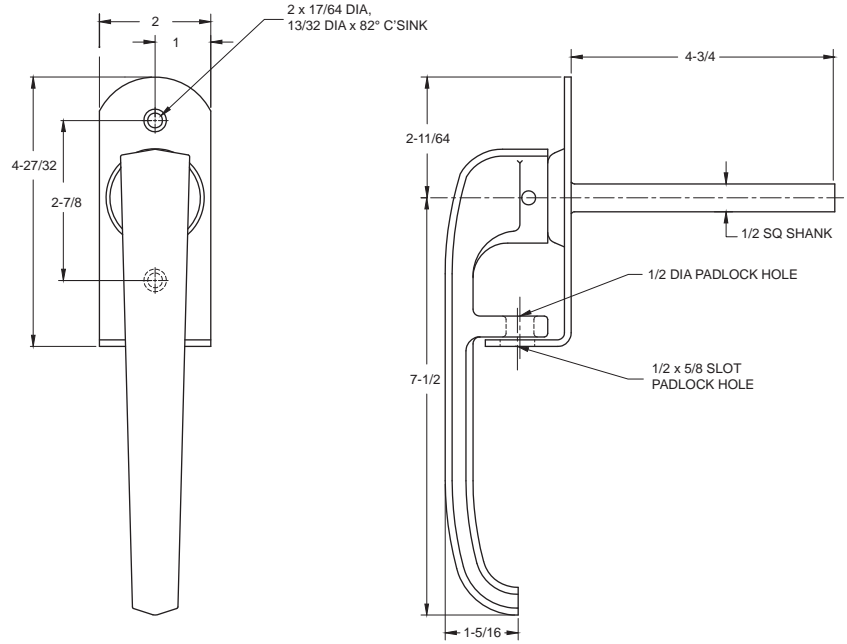


111-A Pad Locking Handle

Iron/steel construction/zinc finish
Available with removable shank
Available with 1/2" or 5/8" shank
Available with various shank length



F111AXXXCDXX



111-C Locking Handle

Iron/steel construction/zinc finish
Available with removable shank
Available with 1/2" or 5/8" shank
Available with various shank lengths
Available in multiple key codes



S111CXXCDXX

