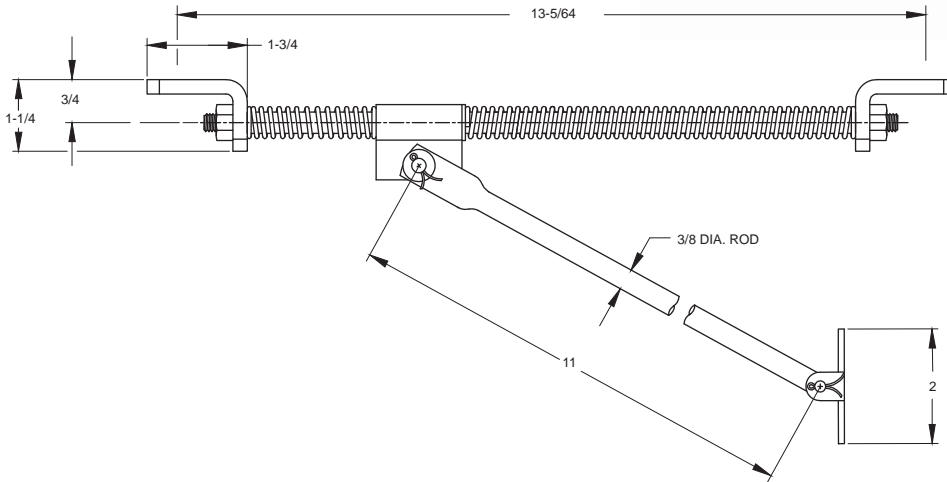
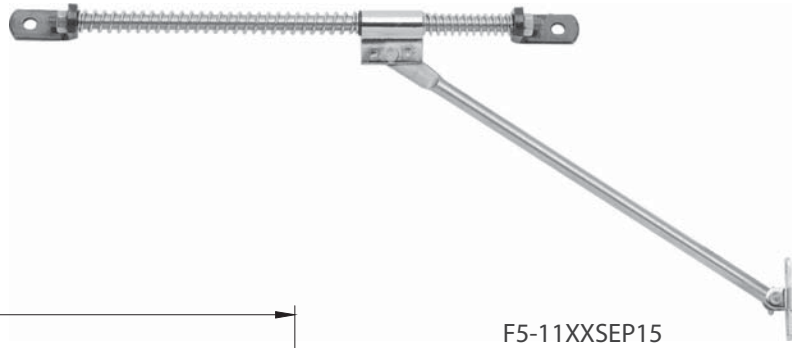


5 Door Check

Polished stainless steel springs, rod & swing arm assembly
 Pre-polished stainless steel spring rod
 Steel mounting brackets with black zinc finish
 Stainless steel arm mounting bracket
 Available with arm lengths of 8" & 11"
 Available with 15lb or 30lb spring tension



F5-11XXSEP15



S5AB-7XXZNXX

5-AB Door Check

Steel construction/zinc finish
 Weldable cast iron bracket
 Available with various spring tensions

