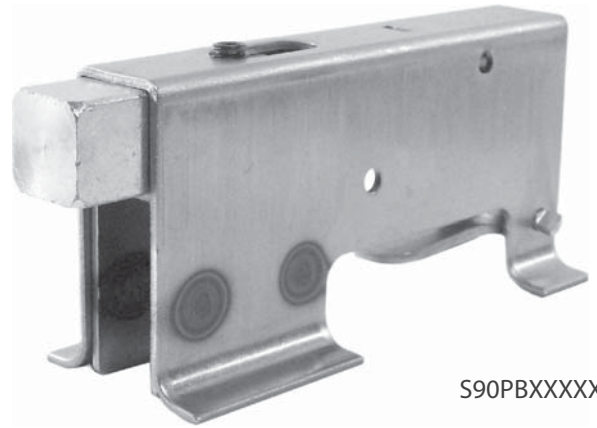
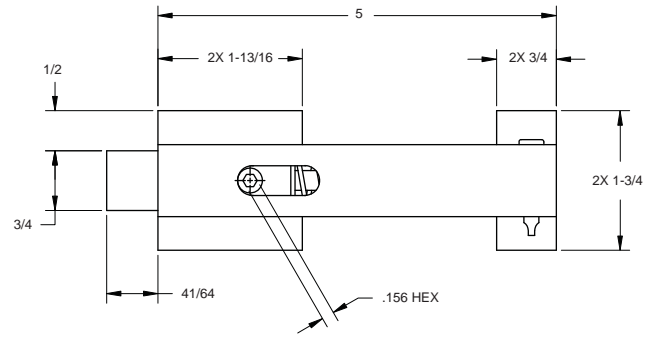
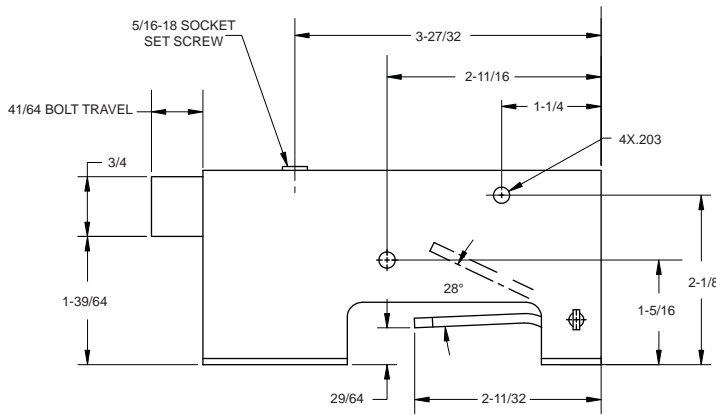


90-PB Offset Bolt

Steel construction/plain finish
Lever actuated
Adjustable set screw
.640 bolt travel
For use with 972 series pushbutton latch (see below)



S90PBXXXXX01



972 Push Button

Weather resisant
Automotive quality lock cylinder
Includes mounting clip
Includes (2) keys on a ring
Available in various finishes
Available in multiple key codes



S972KT45CR01

PATENTED
A. L. Hansen Mfg. Co.

