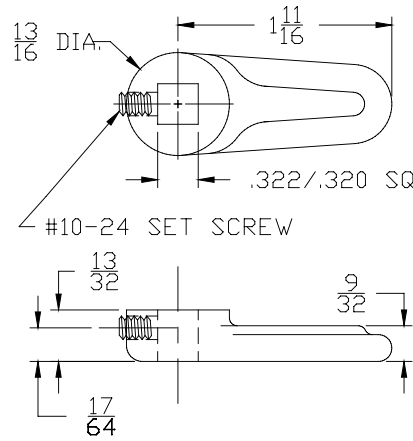


Specialty Items

**"HARDWARE
for HARD WEAR"**

C-15 CAM

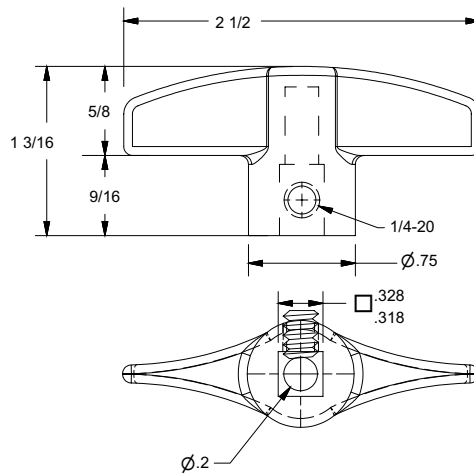
- Zinc die cast construction
- Plain finish
- 5/16" square hole
- Supplied with 10-24 set screw
- ✓ Available in 3" length, p/n 943023



SC15ACAM5/16

700 INSIDE HANDLE W/SET SCREW

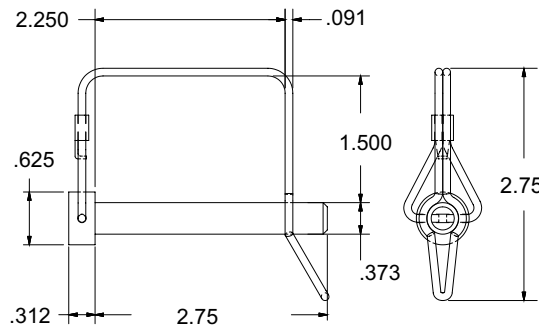
- Zinc die cast construction
- Used with 5/16" square shank
- Supplied w/ 1/4-20 set screw



923200

TAB LOCK PIN

- Steel/spring steel construction
- Zinc plated



263110

**A. L. HANSEN
MANUFACTURING**

701 Pershing Rd. Waukegan, Illinois 60085 U.S.A. Phone: (847)244-8900 Fax: (847)244-7222 WWW.ALHANSEN.COM

ISO 9001:2000
QUALITY SYSTEM
FM
Approvals
Quality System Registration