

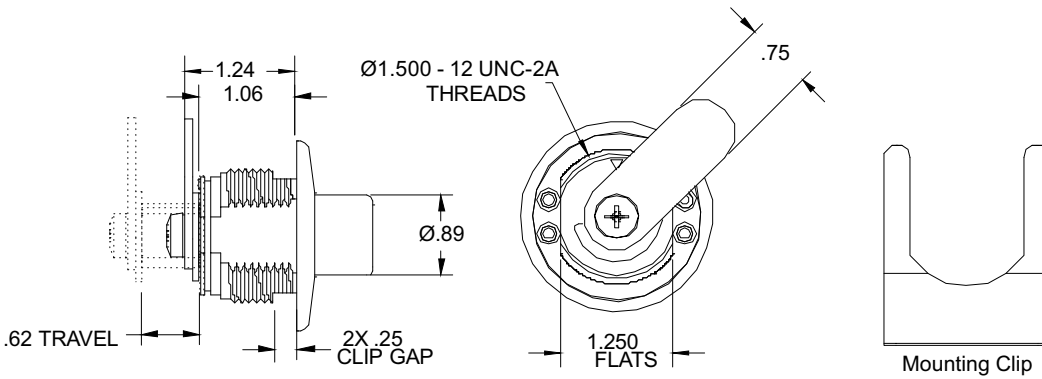
Specialty Items

**"HARDWARE
for HARD WEAR"**

PUSH BUTTON

- Weather resistant
- Automotive quality lock cylinder
- Includes mounting clip
- Includes (2) keys on a ring
- ✓ Available in various finishes
- ✓ Available in multiple key codes

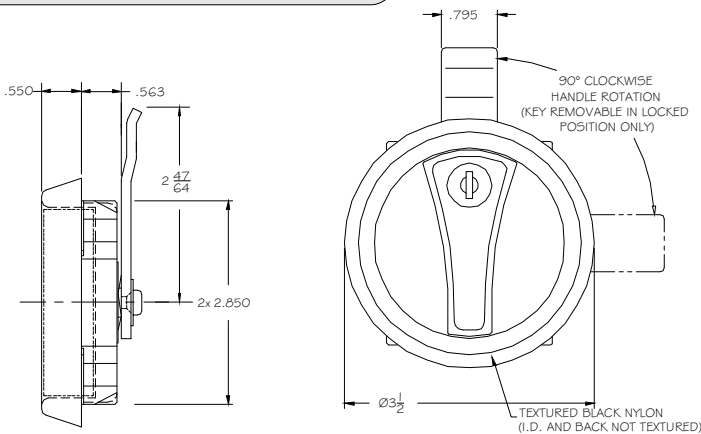
A.L. HANSEN MFG. CO.
PATENT



S972KT45CR01

872 SNAP IN LOCKING LATCH

- Locking snap in latch assembly
- Die cast handle
- Textured black nylon outer housing
- Key removable in locked position only
- Includes (2) keys on a ring



S872XLCWXX01

**A. L. HANSEN
MANUFACTURING**

701 Pershing Rd. Waukegan, Illinois 60085 U.S.A. Phone: (847)244-8900 Fax: (847)244-7222 WWW.ALHANSEN.COM

ISO 9001:2000
QUALITY SYSTEM



Approvals
Quality System Registration