

Lock Kits

**"HARDWARE
for HARD WEAR"**

114 SLAMMING KIT

- Steel construction/zinc finish
- (2) 114 36" rods
- (2) 90 bolts
- (1) washer kit
- Accepts 5/16" square shank
- ✓ Available with various rod lengths

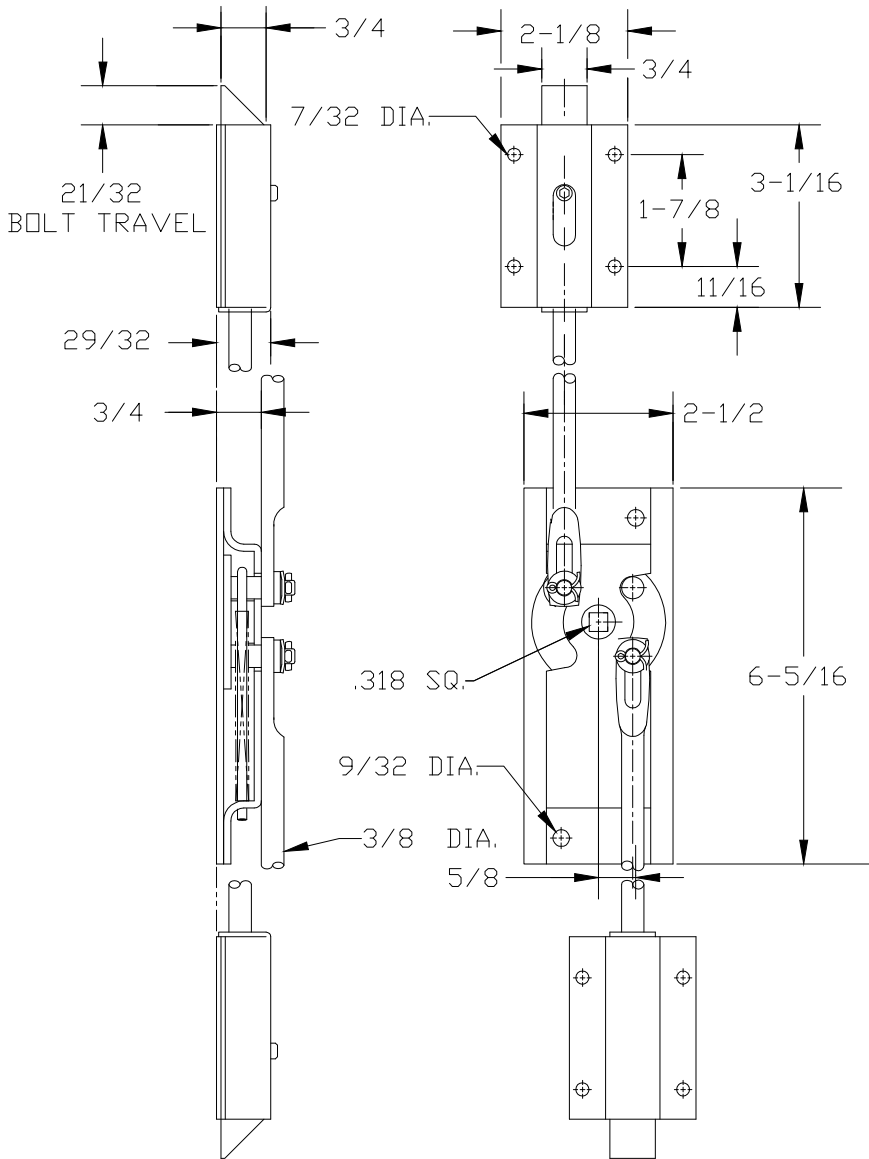
114 SLAMMING KIT ALSO USED WITH:



NO. 120 FLUSH BOLT



No. 121 OFFSET SLAM BOLT



**Optional center control
114 with override/handle**



114-KIT

**A. L. HANSEN
MANUFACTURING**

701 Pershing Rd. Waukegan, Illinois 60085 U.S.A. Phone: (847)244-8900 Fax: (847)244-7222 WWW.ALHANSEN.COM

ISO 9001:2000
QUALITY SYSTEM



Approvals
Quality System Registration