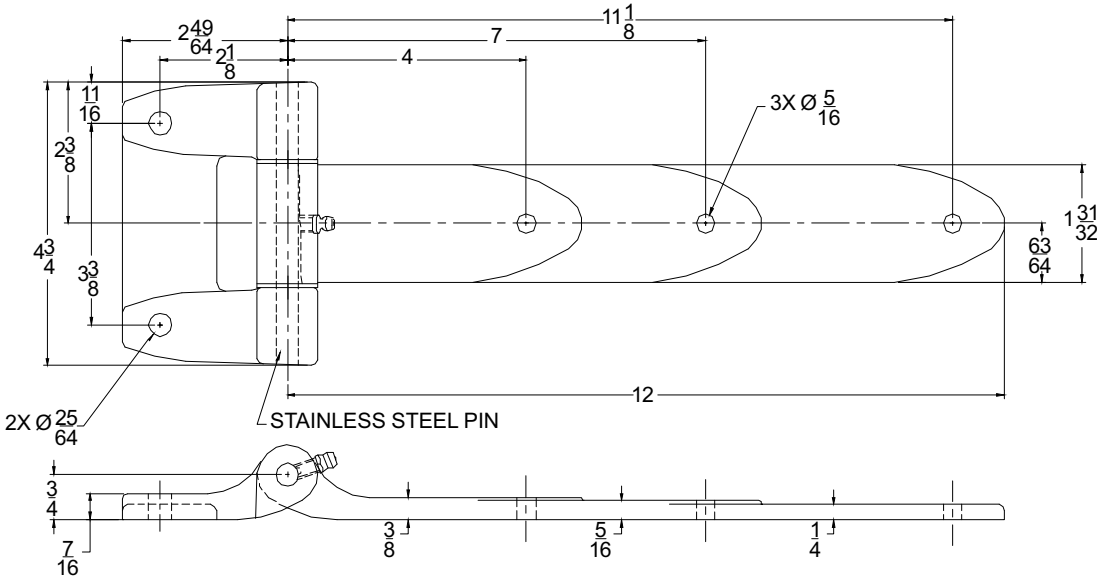


Hinges

**“HARDWARE
for HARD WEAR”**

12-OL FLUSH HINGE

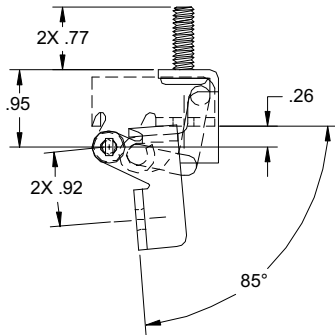
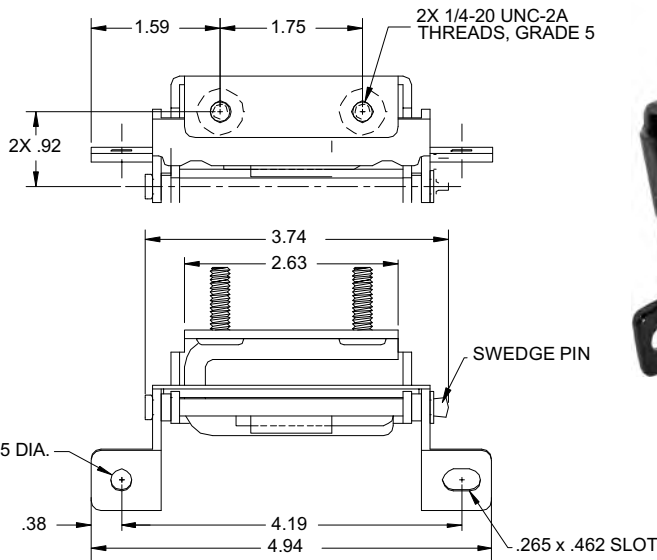
- Die cast aluminum construction
- Wheelbrate finish
- Stainless steel pin



S12CALXFAXXX

VERTICAL DETENT HINGE

- Steel construction
- Black e-coat finish
- Nylon & stainless steel washers
- ★ Eliminates the need for gas spring or door check



SVERTXXXZN03

**A. L. HANSEN
MANUFACTURING**

701 Pershing Rd. Waukegan, Illinois 60085 U.S.A. Phone: (847)244-8900 Fax: (847)244-7222 WWW.ALHANSEN.COM

ISO 9001:2000
QUALITY SYSTEM



Approvals
Quality System Registration