

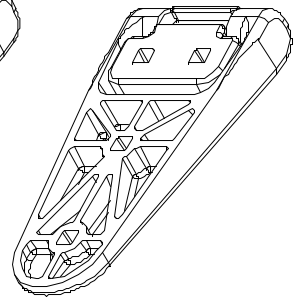
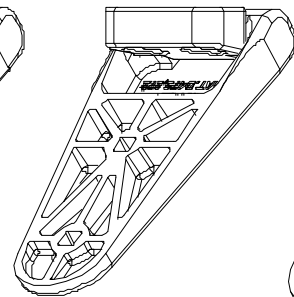
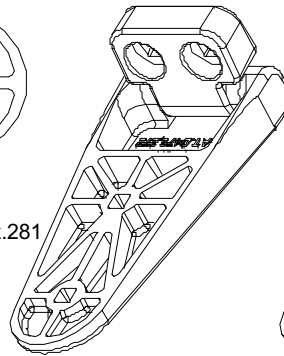
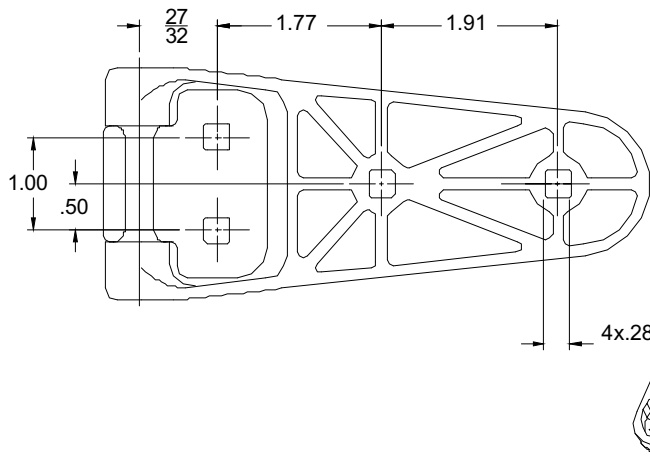
A.L. HANSEN MFG. CO.
PATENT

6-SP RECESSED BUTT HINGE

- High impact molded plastic
- Square holes

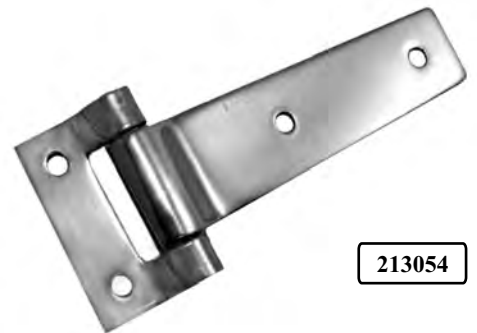


213700



7-MPS STRAP HINGE

- All 304 stainless steel construction
- Polished finish
- Nylon bushings



213054

ISO 9001:2000
QUALITY SYSTEM



Approvals
Quality System Registration

**A. L. HANSEN
MANUFACTURING**

701 Pershing Rd. Waukegan, Illinois 60085 U.S.A. Phone: (847)244-8900 Fax: (847)244-7222 WWW.ALHANSEN.COM