

Hinges

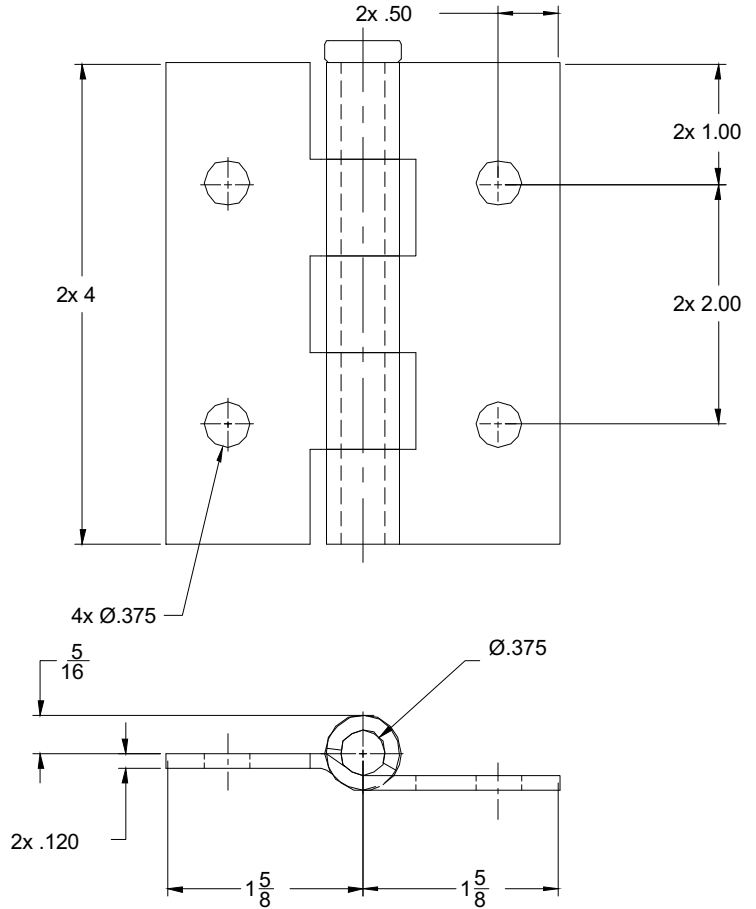
**"HARDWARE
for HARD WEAR"**

BUTT HINGE

- All 304 stainless steel construction
- Brushed satin finish
- 4" overall length x 3.25" width, .312" offset
- Removable pin



213042

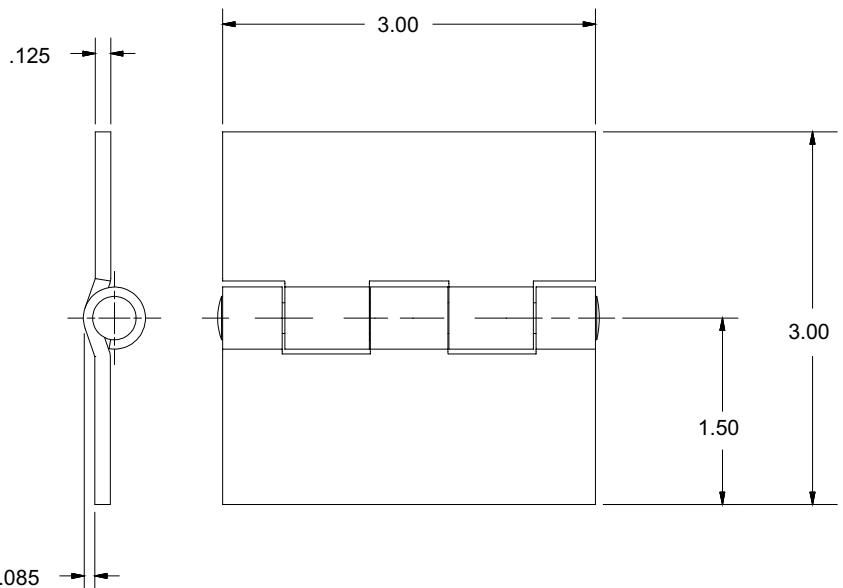


BUTT HINGE

- Steel construction
- Zinc with yellow chromate
- Stainless steel pin
- 3" x 3" continuous hinge
- ✓ Available in 6" length/zinc finish



ZG-213500



**A. L. HANSEN
MANUFACTURING**

701 Pershing Rd. Waukegan, Illinois 60085 U.S.A. Phone: (847)244-8900 Fax: (847)244-7222 WWW.ALHANSEN.COM

ISO 9001:2000
QUALITY SYSTEM



Approvals
Quality System Registration