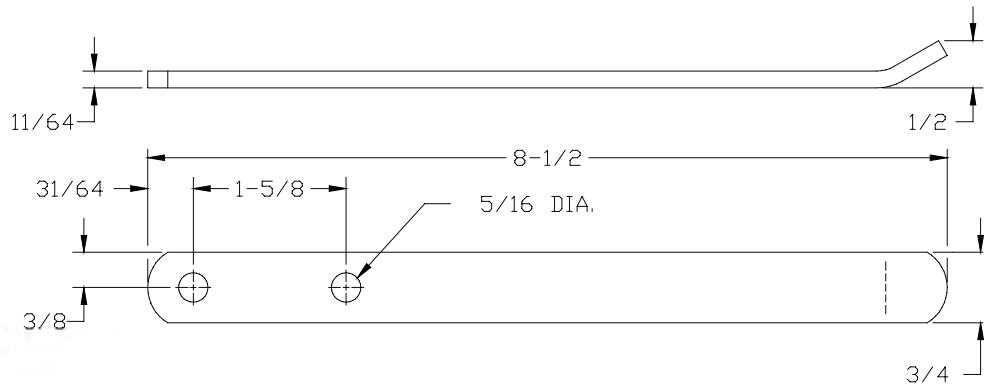




ZN-343736

105 INSIDE HANDLE

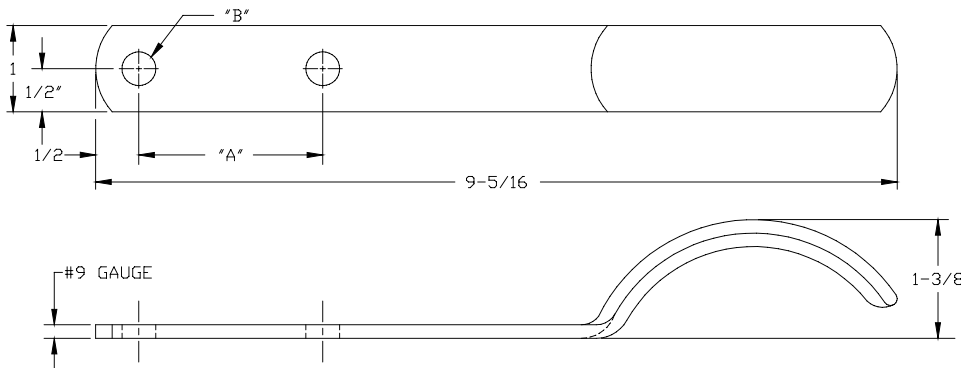
- Steel construction/zinc finish
- Use with center control models: (105, 107, 114)



F311SHXXZNXX

311/105 INSIDE HANDLE

- Steel construction/zinc finish
- Use with center control models: (105, 107, 111, 114, 311)



"A"	"B"
1-5/8	17/64 DIA.
1-5/8	21/64 DIA.
1-5/8	3/8 DIA.
1-49/64	21/64 DIA.
2-9/64	25/64 DIA.