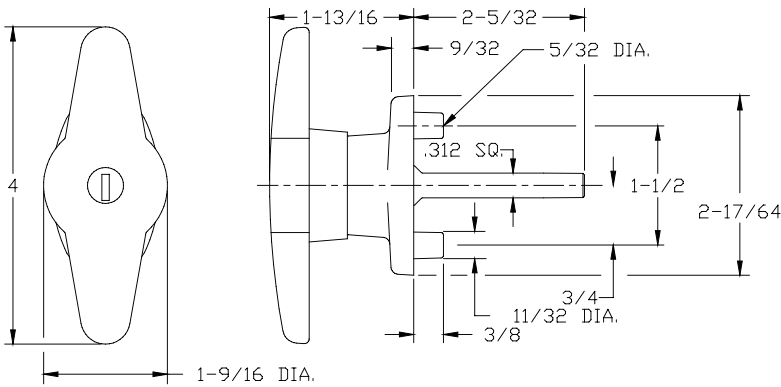


Handles

**"HARDWARE
for HARD WEAR"**

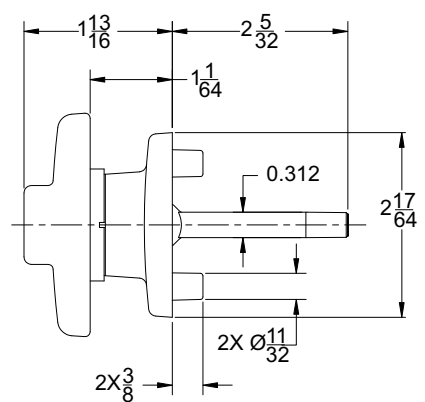
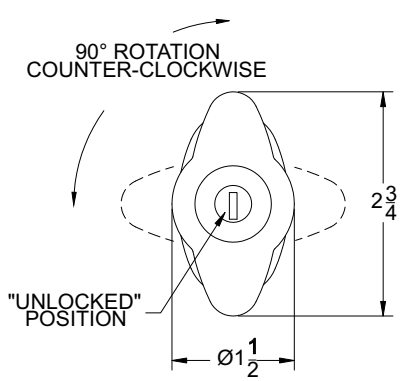
700 SERIES "T" HANDLE

- Black polymer construction
- Automotive quality lock cylinder
- Blind mounting
- Reversible key
- ✓ Available with 90° clockwise or counter clockwise rotation
- ✓ Available with mutiple key codes



A.L. HANSEN MFG. CO.
PATENT

S773LCCWSX01



A.L. HANSEN MFG. CO.
PATENT

S773CCCWSX01

**A. L. HANSEN
MANUFACTURING**

ISO 9001:2000
QUALITY SYSTEM
FM
Approvals
Quality System Registration