



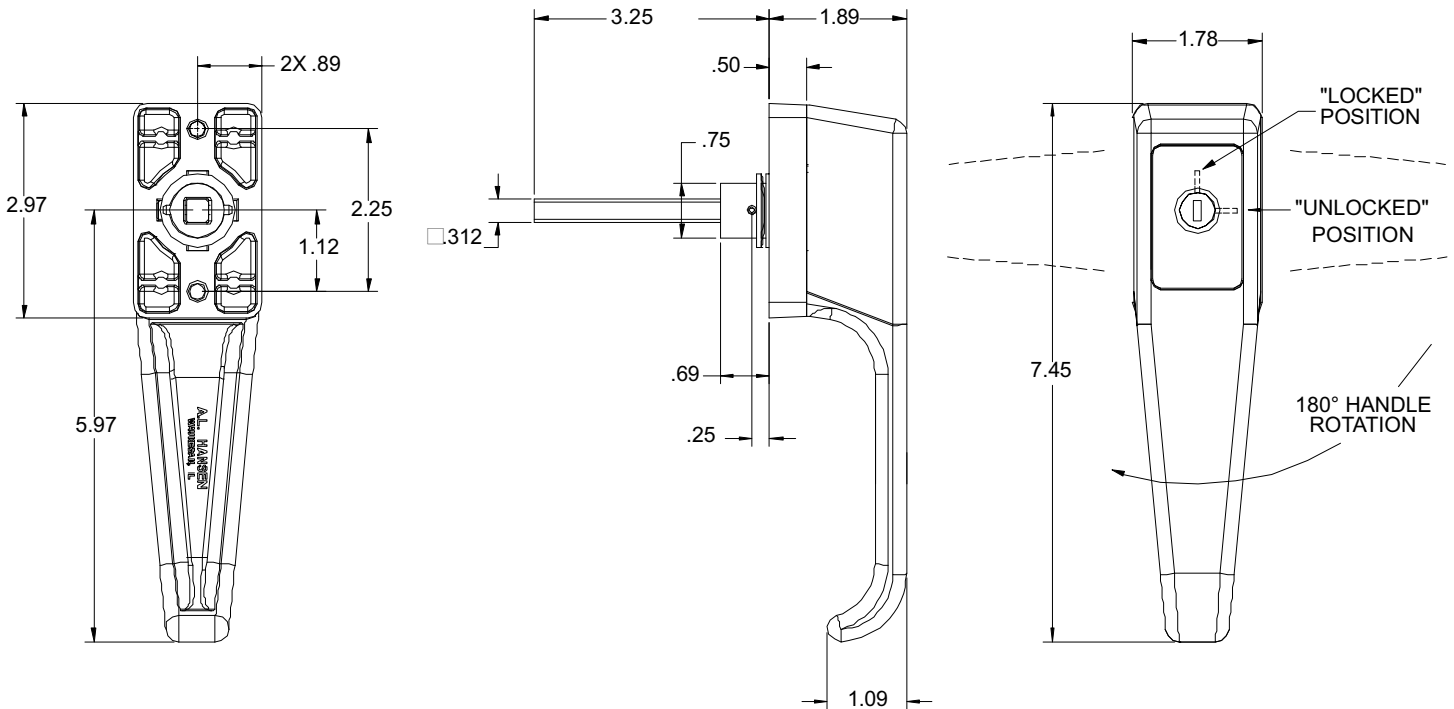
**S673X180BP01**



**EXTENDED ESCUTCHEON**

**600 SERIES HANDLE**

- Zinc die cast construction
- Black textured urethane powder finish
- 180° handle rotation
- Blind mounting
- Supplied with 2 keys on a ring
- ✓ Available with extended escutcheon
- ✓ Available in multiple key codes
- ✓ Available with various shank lengths
- ✓ Available with/without threaded shank



ISO 9001:2000  
QUALITY SYSTEM



Approvals  
Quality System Registration

**A. L. HANSEN  
MANUFACTURING**

701 Pershing Rd. Waukegan, Illinois 60085 U.S.A. Phone: (847)244-8900 Fax: (847)244-7222 WWW.ALHANSEN.COM