

Handles

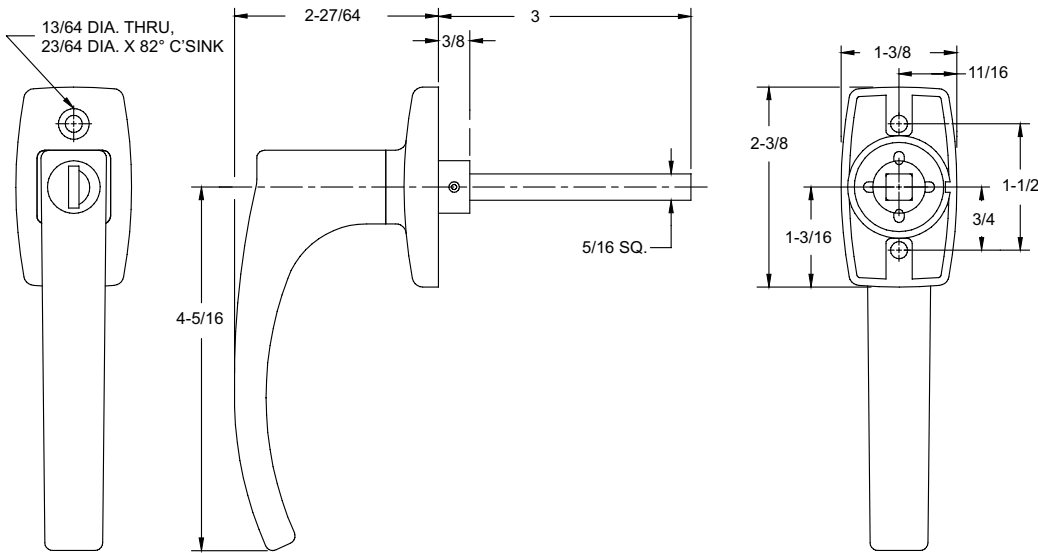
**"HARDWARE
for HARD WEAR"**

500 SERIES HANDLE

- Zinc die cast construction
- Polished chrome finish
- Supplied with gasket
- Supplied with 2 keys on a ring
- ✓ Available in locking or non-locking
- ✓ Available in multiple key codes
- ✓ Available with 1-1/2" or 1-3/4" mounting hole centers
- ✓ Available with blind mount, clockwise & counter clockwise escutcheons
- ✓ Available with 90° or 360° rotation
- ✓ Available with various shank lengths
- ✓ Available with/without threaded shank



F572.5XXCRXX

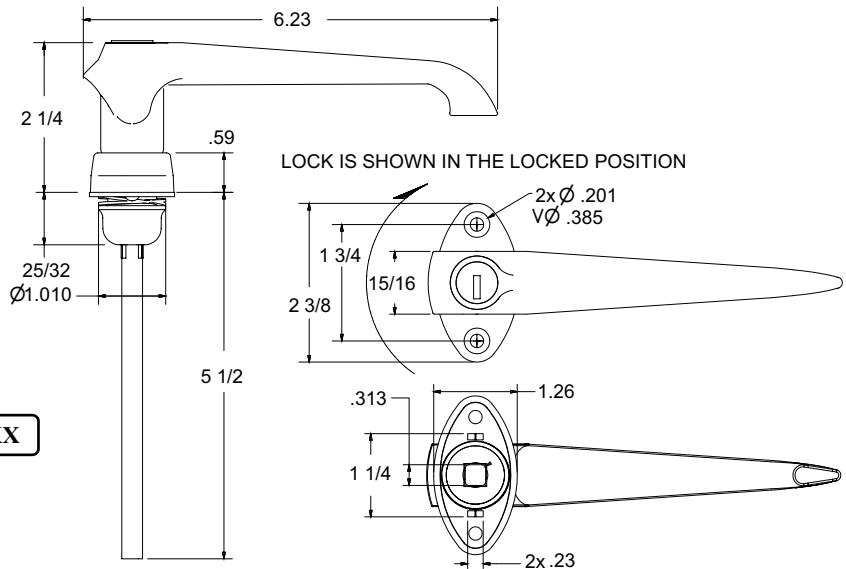


633 "L" HANDLE

- Zinc die cast construction
- Polished chrome finish
- Neoprene gasket
- 360° unlocked rotation
- 4 locking positions at 90°
- ✓ Available in non-locking



S98164XXCRXX



**A. L. HANSEN
MANUFACTURING**

701 Pershing Rd. Waukegan, Illinois 60085 U.S.A. Phone: (847)244-8900 Fax: (847)244-7222 WWW.ALHANSEN.COM

ISO 9001:2000
QUALITY SYSTEM
FM
Approvals
Quality System Registration