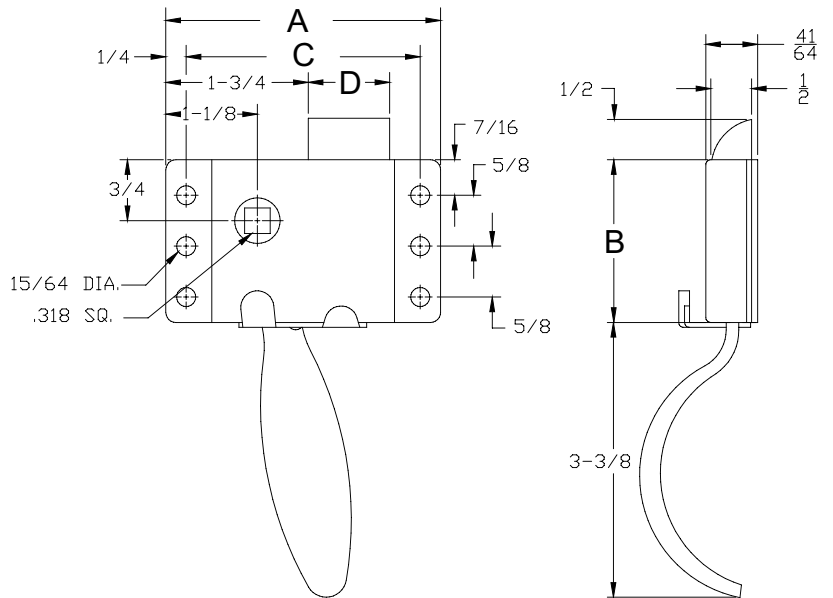


Cab Locks

**"HARDWARE
for HARD WEAR"**

56 CAB LOCK

- Steel construction/zinc finish
- Accepts 5/16" shank
- ✓ Available in left or right hand
- ✓ Available with mounting flange
- ✓ Available with plastisol coating on handle
- ✓ Available inside override feature



F56XXXLXZNXX

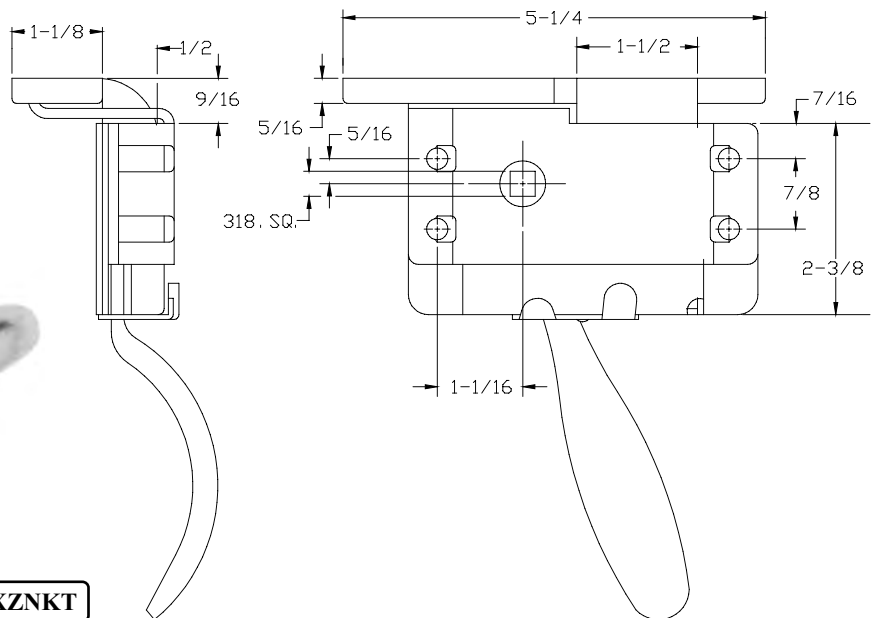
	A	B	C	D
56	3 3/8	2	2 7/8	1
56A	4 11/32	2 3/8	3 5/8	1 1/2

All Dimensions are in inches



56-ASL HEAVY DUTY CAB LOCK

- Steel construction/zinc finish
- Accepts 5/16" shank
- Inside handle & locking trigger
- ✓ Available in left or right hand
- ✓ Available with plastisol coating on handle
- ✓ Available with bronze striker



S56ASLLXZNKT



**A. L. HANSEN
MANUFACTURING**

701 Pershing Rd. Waukegan, Illinois 60085 U.S.A. Phone: (847)244-8900 Fax: (847)244-7222 WWW.ALHANSEN.COM

ISO 9001:2000
QUALITY SYSTEM
FM
Approvals
Quality System Registration