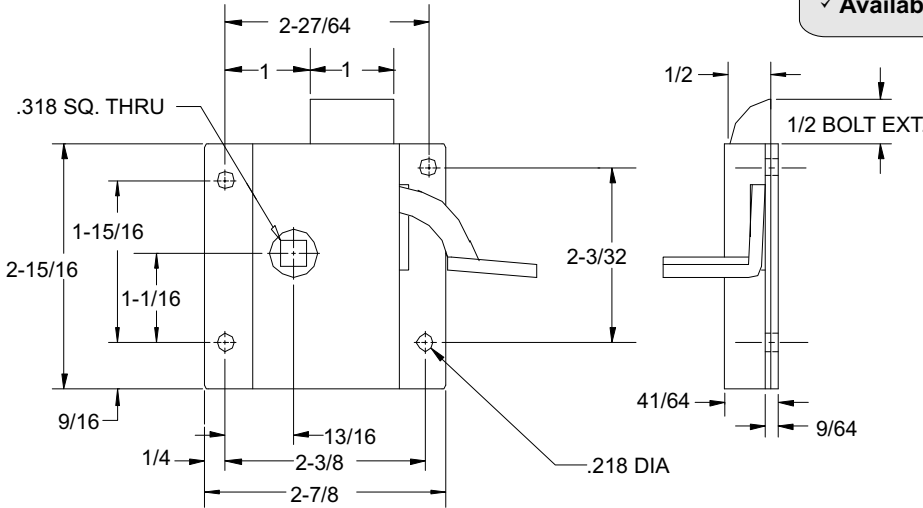
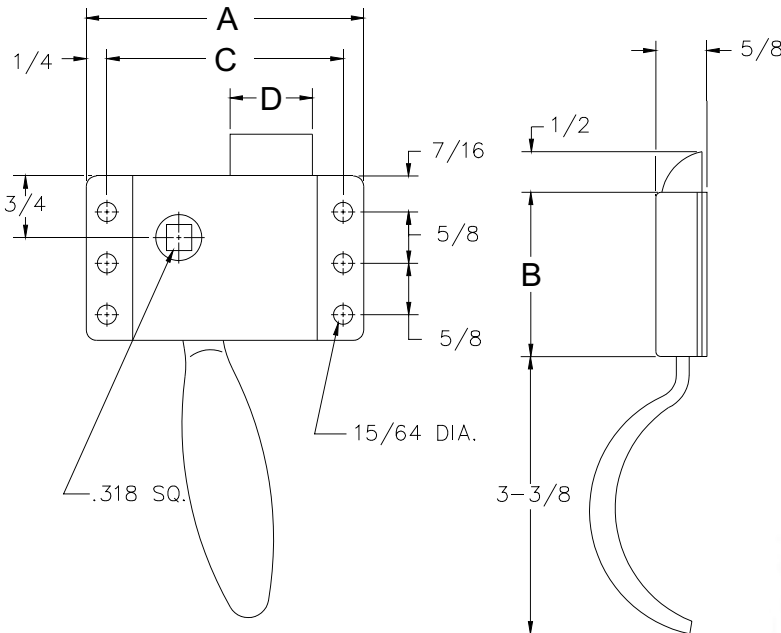


54 CAB LOCK

- Steel construction/zinc finish
- Accepts 5/16" shank
- ✓ Available with/without inside handle
- ✓ Available with left or right hand
- ✓ Available with standard or reverse bolt (without handle)



S54XXXXLXZNX



55 CAB LOCK

- Accepts 5/16" shank
- ✓ Available in stainless steel
- ✓ Available in steel construction/zinc finish
- ✓ Available in left or right hand
- ✓ Available with mounting flange
- ✓ Available with inside override feature
- ✓ Available with plastisol coating on handle
- ✓ Available with heavy duty case



F55XXXXLSXXXX

	A	B	C	D
55	3 3/8	2	2 7/8	1
55A	4 11/32	2 3/8	3 5/8	1 1/2

All Dimensions are in inches

ISO 9001:2000
QUALITY SYSTEM



Approvals
Quality System Registration

**A. L. HANSEN
MANUFACTURING**

701 Pershing Rd. Waukegan, Illinois 60085 U.S.A. Phone: (847)244-8900 Fax: (847)244-7222 WWW.ALHANSEN.COM