



BACK



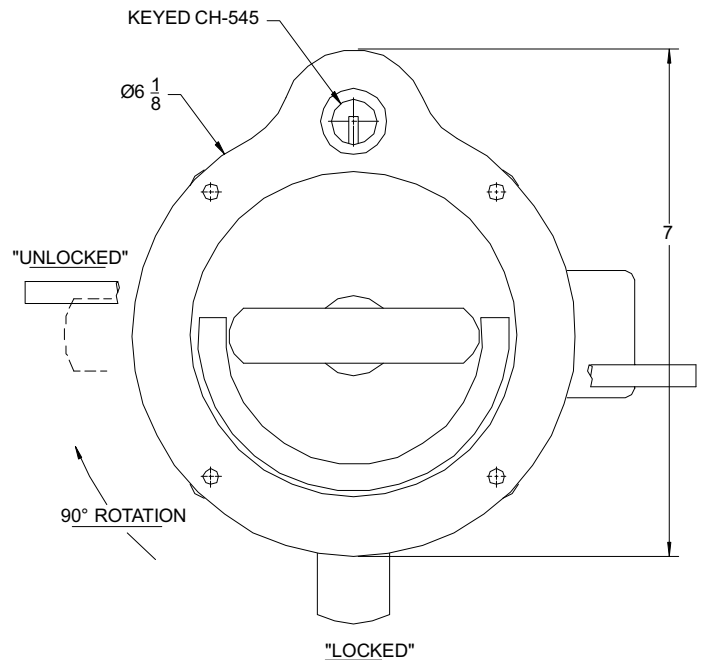
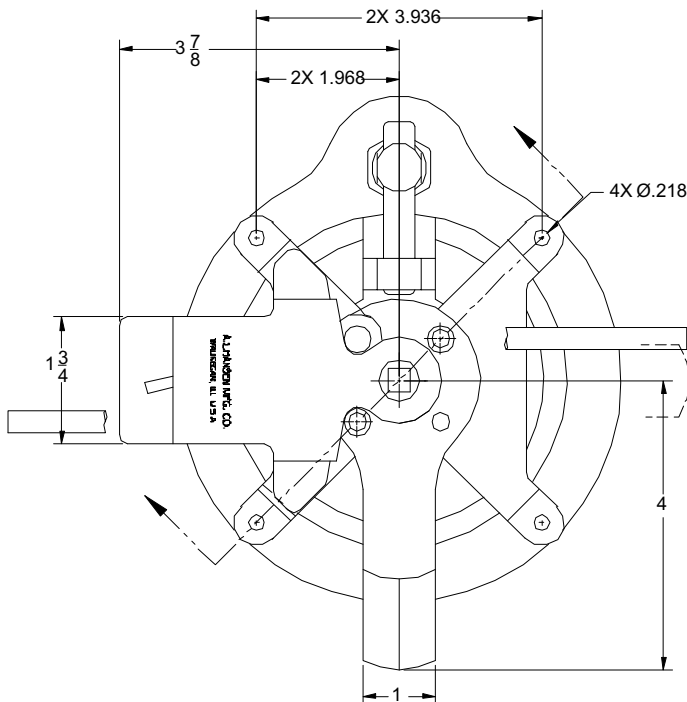
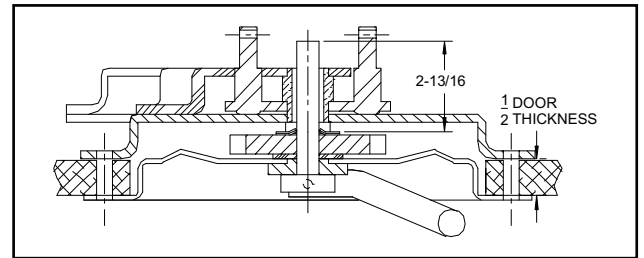
FRONT

S107DRRSKT01-A

107 CENTER CONTROL & D-RING

- Stainless steel construction/polished finish
- ✓ Available in left or right hand

CUSTOMER TO CUT SHANK TO LENGTH



ISO 9001:2000
QUALITY SYSTEM



Approvals
Quality System Registration

**A. L. HANSEN
MANUFACTURING**