

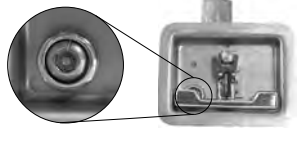
# Specialty Items

**"HARDWARE  
for HARD WEAR"**

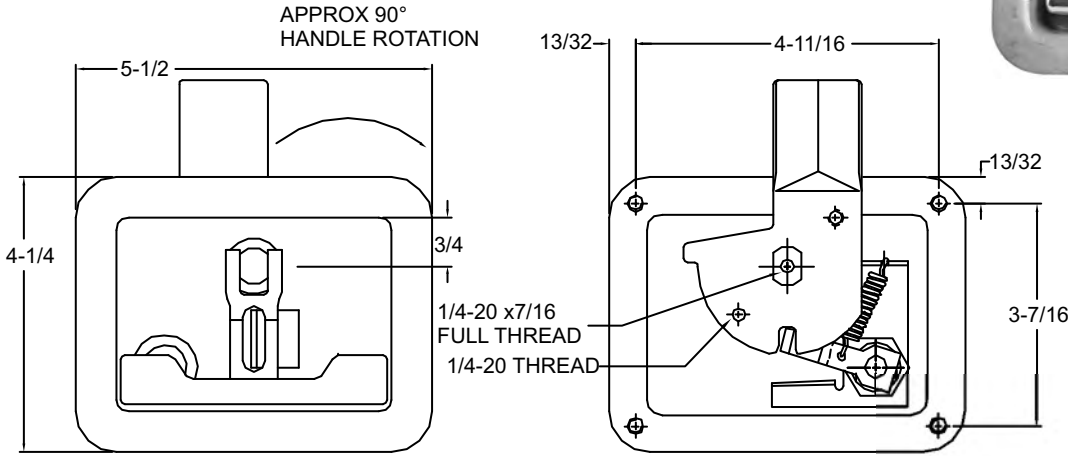
### 179 PADLOCKING FOLDING-T

- Stainless steel construction
- Steel 3-point cam, mechanical dyna kote finish
- Zinc die cast handle w/chrome finish
- 90° handle rotation
- Flush mounting

Security screw requires 5/16" hex allen wrench w/ special detent for handle actuation.



**S179F-LSXXRE**

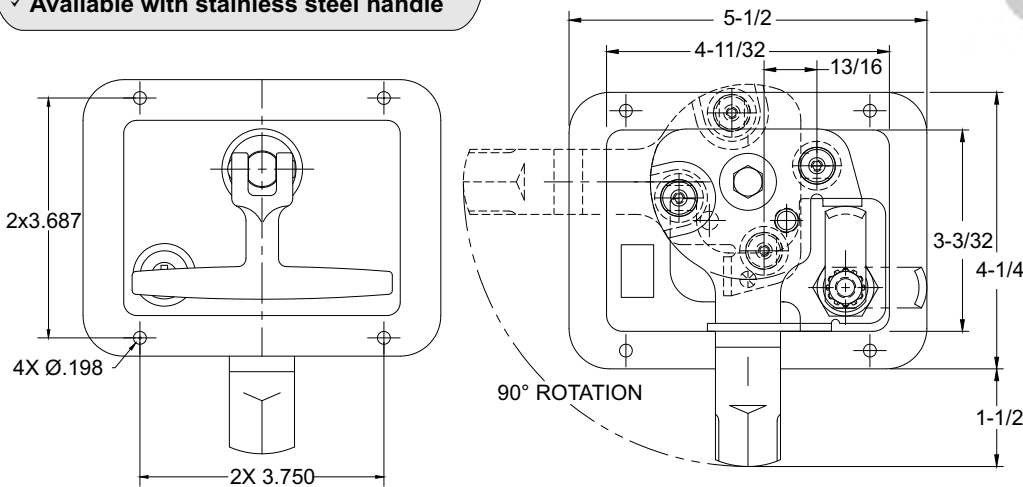


### 4403 LOCKING FOLDING-T

- Polished stainless steel tray
- Steel latch cam, commercial zinc finish
- Zinc die cast handle
- Automotive quality lock cylinder
- Flush mount
- ✓ Available with 2 or 3 point latch cam
- ✓ Available with black powder finish
- ✓ Available with zinc finish
- ✓ Available with stainless steel handle



**S4403XXSPB01**



**A. L. HANSEN  
MANUFACTURING**

701 Pershing Rd. Waukegan, Illinois 60085 U.S.A. Phone: (847)244-8900 Fax: (847)244-7222 WWW.ALHANSEN.COM

ISO 9001:2000  
QUALITY SYSTEM



Approvals  
Quality System Registration