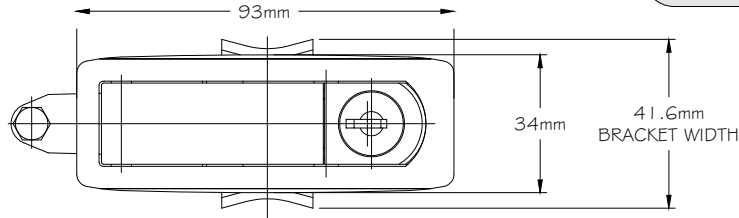
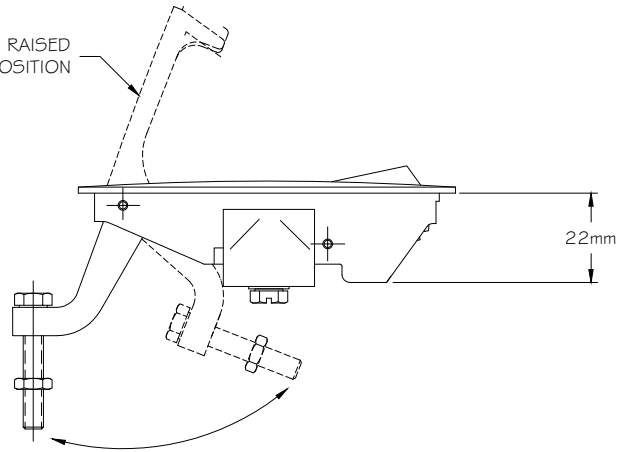




263122

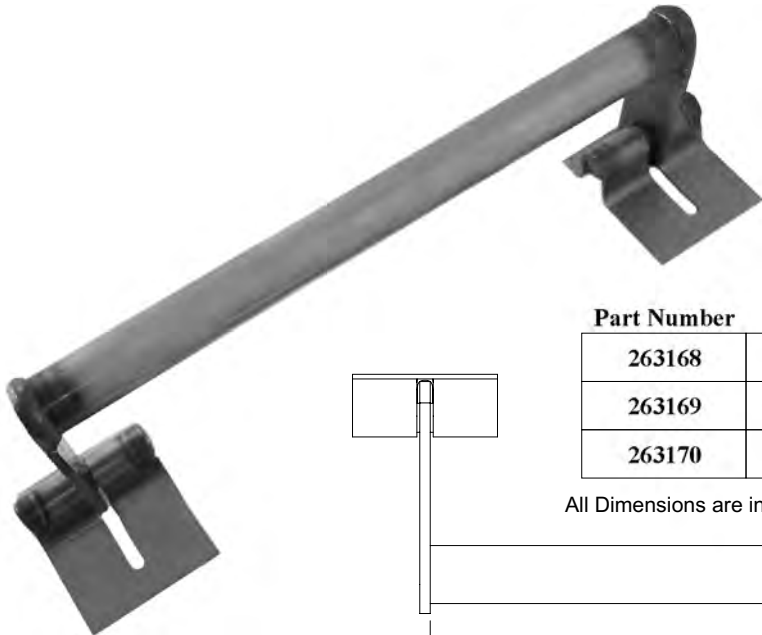


LEVER IN RAISED
(OPEN) POSITION



COMPRESSION LATCH

- Zinc die cast construction
- Stainless steel u-spring
- ✓ Available in locking or non-locking



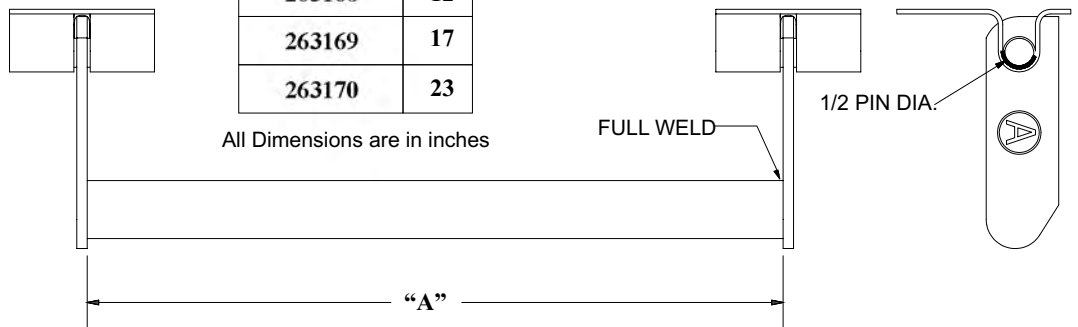
WELDMENT HANDLE

- Steel construction/plain finish
- 1/2" pivot pin
- Full weld around tube ends
- ✓ Available in various lengths

Part Number "A"

263168	12
263169	17
263170	23

All Dimensions are in inches



ISO 9001:2000
QUALITY SYSTEM



Approvals
Quality System Registration

**A. L. HANSEN
MANUFACTURING**

701 Pershing Rd. Waukegan, Illinois 60085 U.S.A. Phone: (847)244-8900 Fax: (847)244-7222 WWW.ALHANSEN.COM