

# Bolts

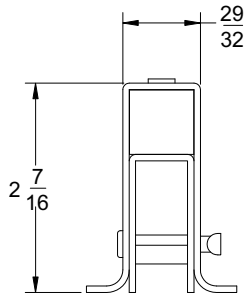
**"HARDWARE  
for HARD WEAR"**

### 90-PB OFFSET BOLT

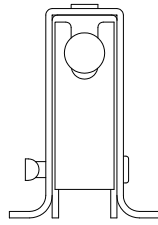
- Steel construction/plain finish
- lever actuated
- Adjustable set screw
- .640 bolt travel
- ★ For use with 972 series push button latch  
(See pg. 95)



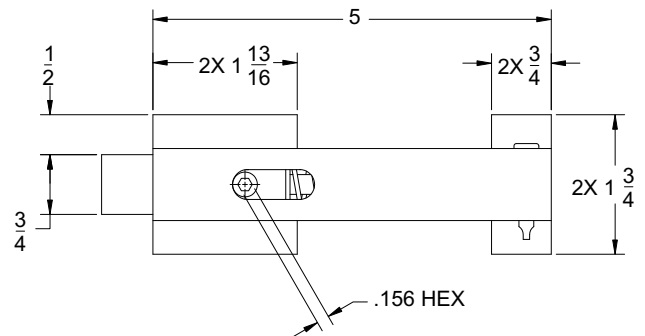
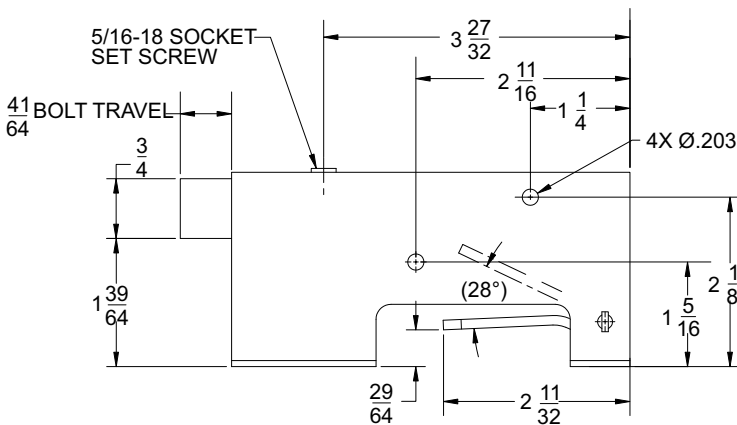
**S90PBXXXXX01**



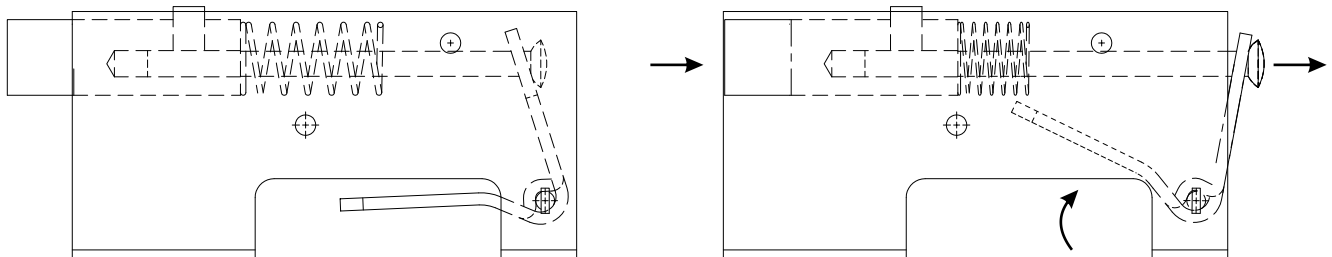
Front View



Back View



### Lever Actuating



**A. I. HANSEN  
MANUFACTURING**

701 Pershing Rd. Waukegan, Illinois 60085 U.S.A. Phone: (847)244-8900 Fax: (847)244-7222 WWW.ALHANSEN.COM

ISO 9001:2000  
QUALITY SYSTEM  
**FM**  
Approvals  
Quality System Registration