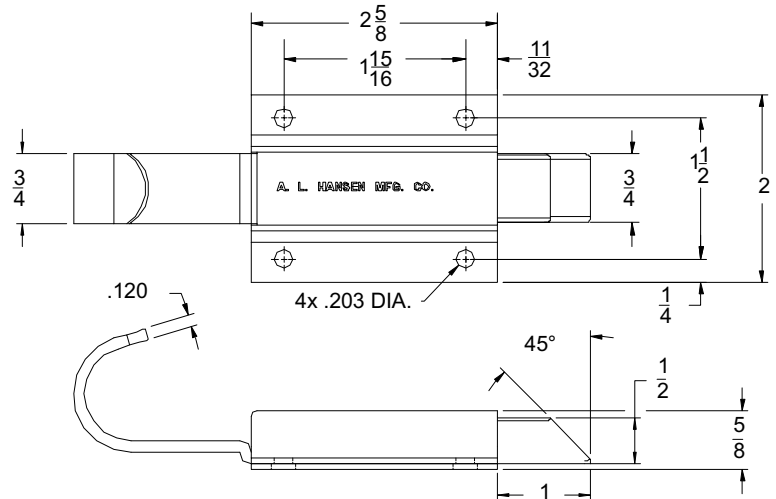




**F90M45XXZNXX**

**90-M FLUSH BOLT**

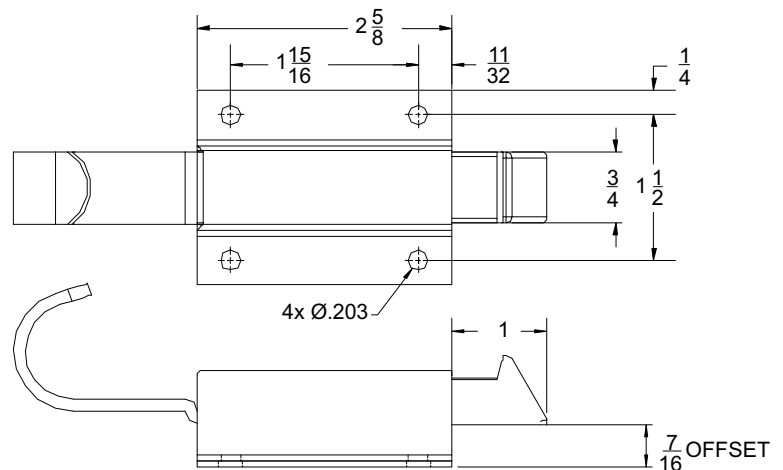
- Stainless steel spring
- Iron powder metal bolt
- ✓ Available in steel construction/zinc finish
- ✓ Available in stainless steel
- ✓ Available with standard or reverse bolt
- ✓ Available with 30° or 45° bolt
- ✓ Available 1" or 5/8" bolt extension on 45° bolt



**F90M3044ZNXX**

**90-M OFFSET BOLT**

- Stainless steel spring
- Iron powder metal bolt
- ✓ Available in steel construction/zinc finish
- ✓ Available in stainless steel
- ✓ Available with standard or reverse bolt
- ✓ Available with 30° or 45° bolt



ISO 9001:2000  
QUALITY SYSTEM



Approvals  
Quality System Registration

**A. L. HANSEN  
MANUFACTURING**

701 Pershing Rd. Waukegan, Illinois 60085 U.S.A. Phone: (847)244-8900 Fax: (847)244-7222 WWW.ALHANSEN.COM