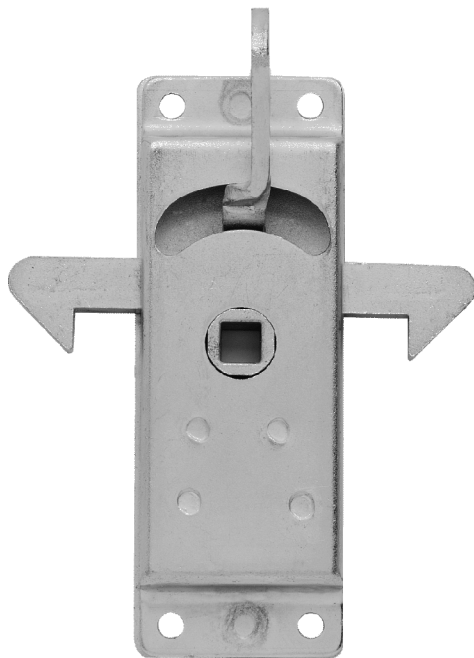
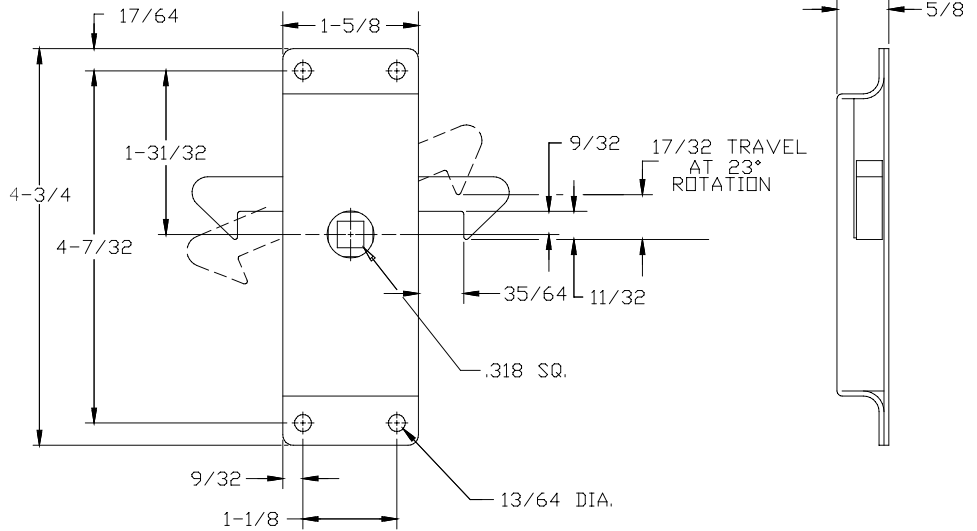


F42XXXXXZNX

**42 UNIVERSAL SLIDING
DOOR LOCK**

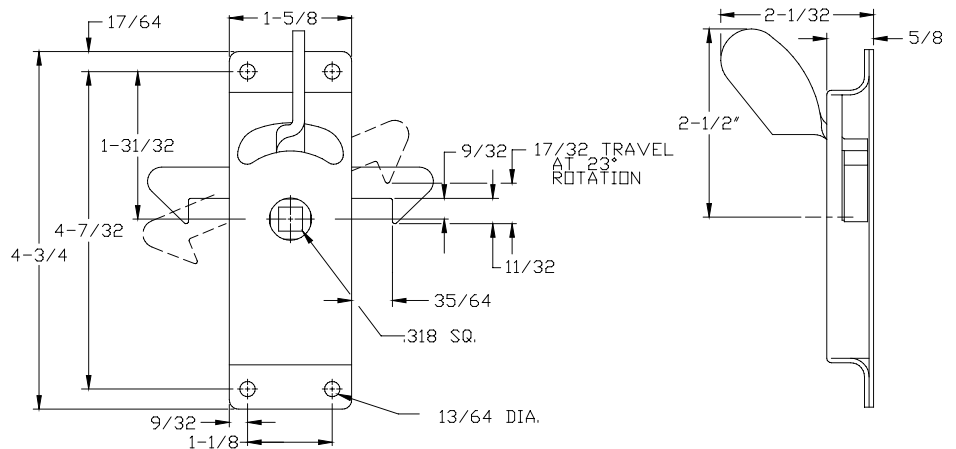
- Steel construction/zinc finish
- Accepts 5/16" shank
- ✓ Available with various mounting hole sizes



F42-HXXXXZNX

**42-H UNIVERSAL SLIDING
DOOR LOCK WITH HANDLE**

- Steel construction/zinc finish
- Accepts 5/16" shank



ISO 9001:2000
QUALITY SYSTEM



Approvals
Quality System Registration

**A. L. HANSEN
MANUFACTURING**

701 Pershing Rd. Waukegan, Illinois 60085 U.S.A. Phone: (847)244-8900 Fax: (847)244-7222 WWW.ALHANSEN.COM