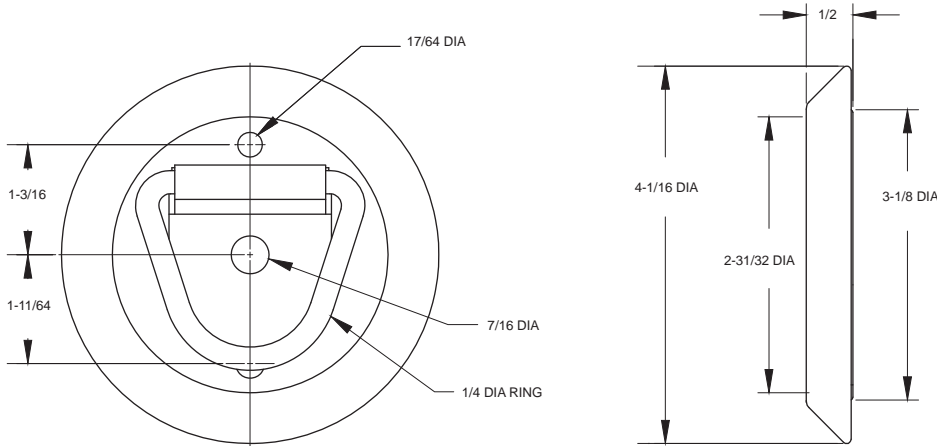


300-F Flush Mount Tie Down

Steel/plastic construction/Ziinc finish
1,500 lbs break strength*
500 lbs working load limit*

A. L. HANSEN MFG. CO.
PATENT

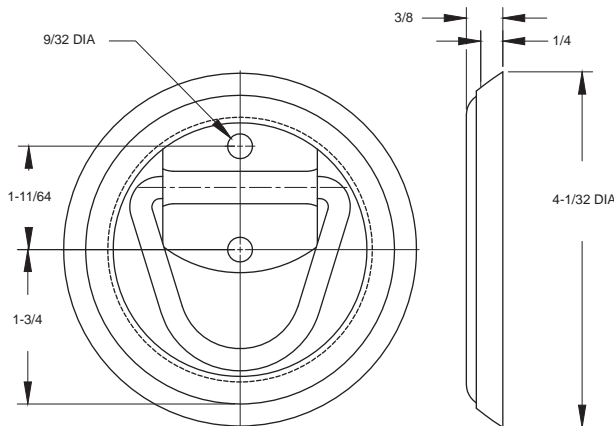


F300FXXXXZNXX

The No. 300-C Ring & Clamp is used in the 300-F Flush Mount

39-F Tie Down w/Spacer

Steel/plastic construction/Ziinc finish
1,200 lbs break strength*
400 lbs working load limit*



F39FXXXXZNXX

*** Rating Parameters:** To provide a reliability factor to manufacturers for the differences between static testing and dynamic (real world) loading on load securement components, rating parameters have been established. Breaking Strength Capacity is the maximum load that an assembly will withstand before failing. Working Load limit (WLL) is defined as the maximum load that a component or assembly should receive during regular use. WLL is typically calculated as one-third (1/3) of Breaking Strength Capacity. (CVSA/FHWA out of service criteria) A working knowledge of the breaking strength capacity & working load limit (WLL) in securement assemblies is necessary to properly securing a load.