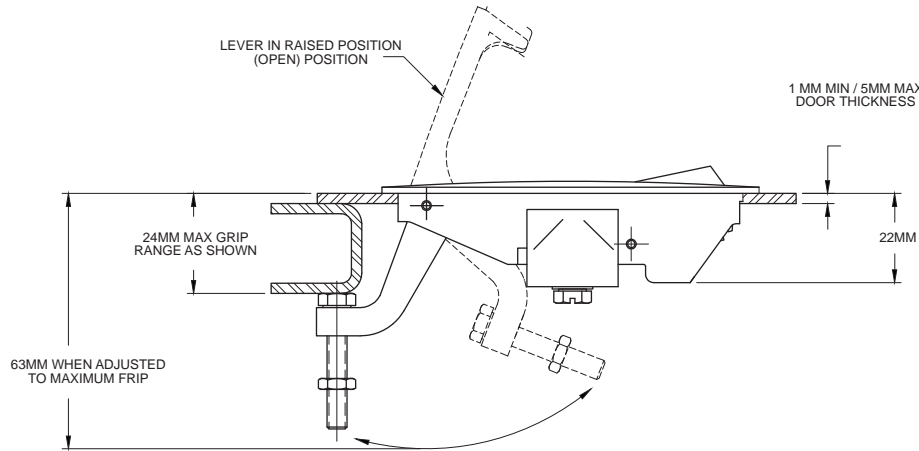
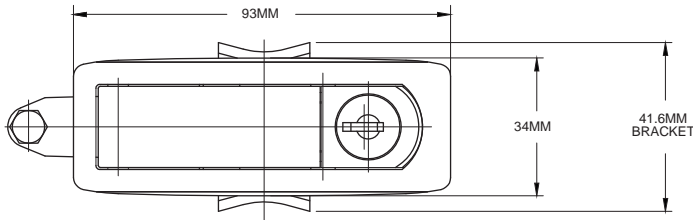


Compression Latch

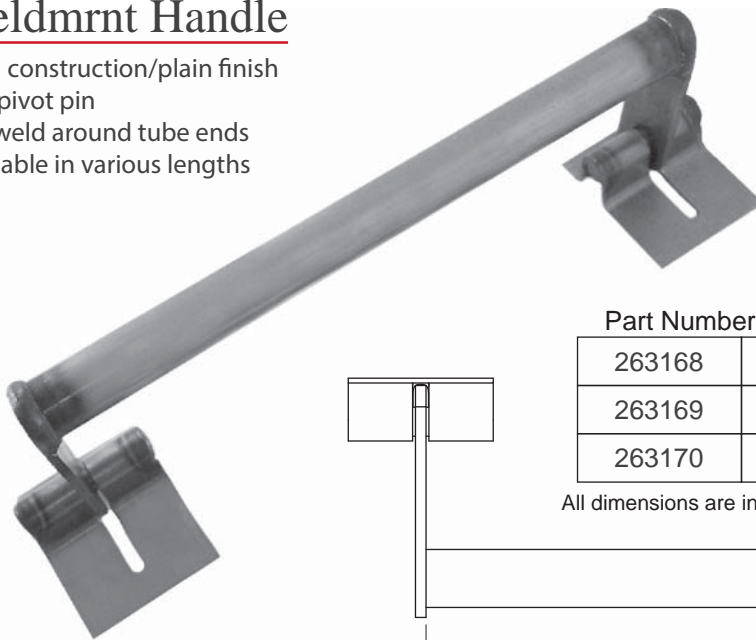
Zinc die cast construction
Stainless steel u-spring
Available in locking or non-locking



263122

Weldmnt Handle

Steel construction/plain finish
1/2" pivot pin
Full weld around tube ends
Available in various lengths



Part Number "A"

| | |
|--------|----|
| 263168 | 12 |
| 263169 | 17 |
| 263170 | 23 |

All dimensions are in inches

