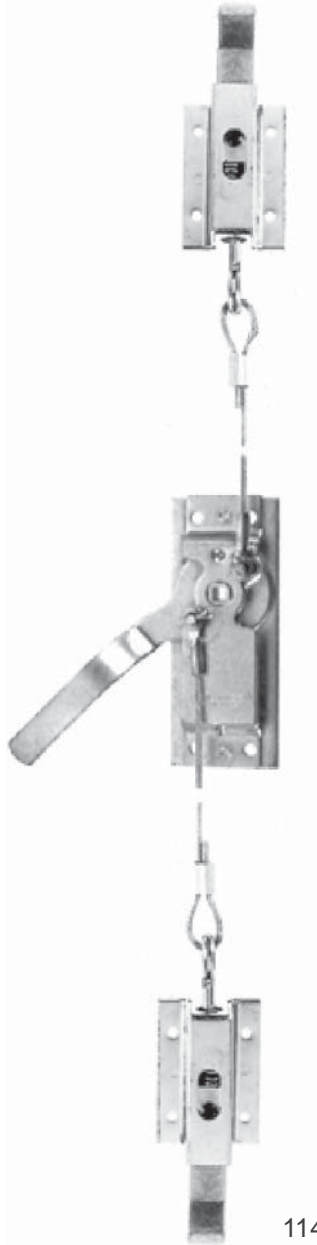


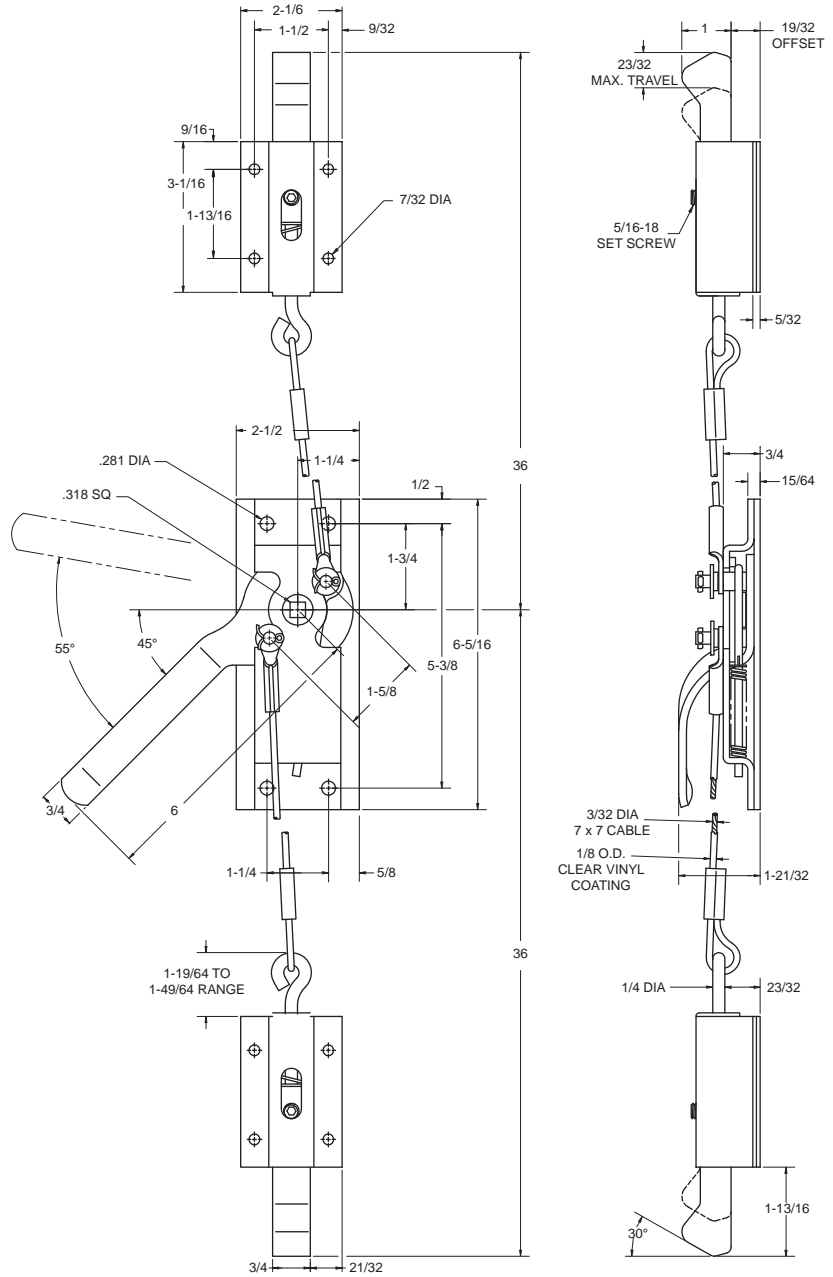
## 114 Slamming Kit w/Override

Steel construction/zinc finish

- (1) 114-OR center control
- (2) 36" cables with crimps
- (2) 121 bolts
- Accepts 5/16" square shank



114-KIT



Optional Slam Bolts Available for use with 114 Slamming Kit



90 FLUSH BOLT  
(F90.25FXZNXX)



120 FLUSH BOLT  
(F120XXFXZNXX)