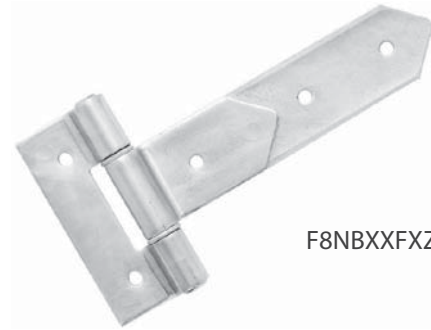
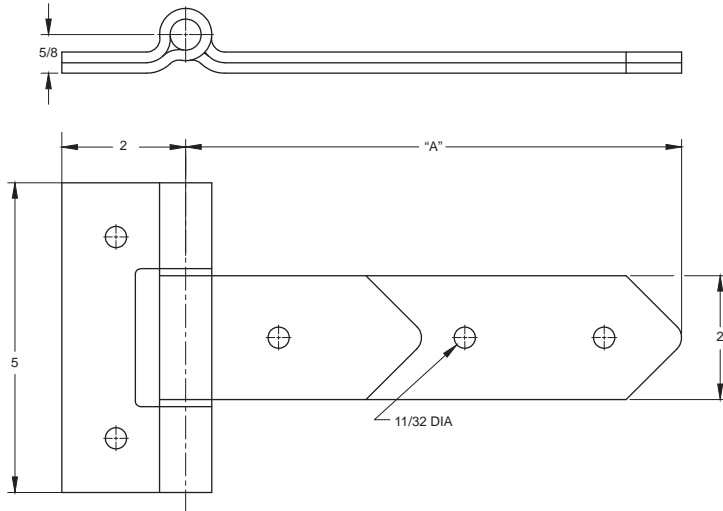


## NB-Type Hinge

- Steel construction/zinc finish
- Security hinge pin
- Available in aluminum
- Available in stainless steel
- Available with offset
- Available with round or square mounting holes



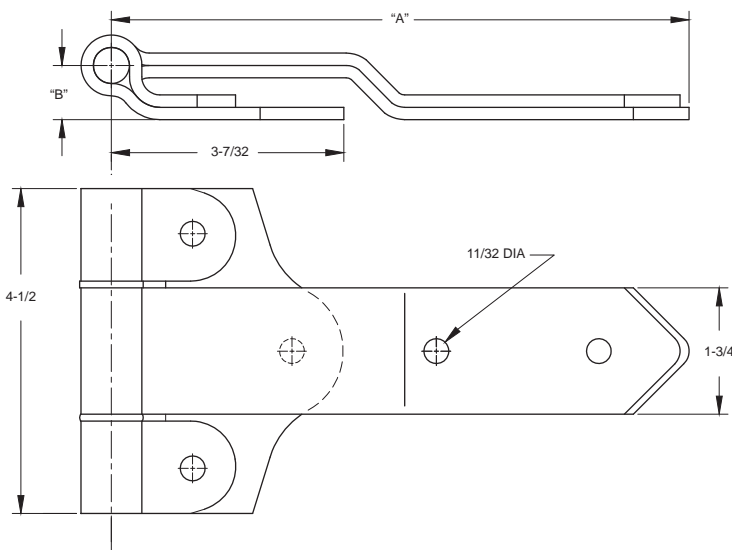
F8NBXXFXZNXX

	A	B
4-NB	3-3/4	3-1/2
8-NB	8	3-1/2
12-NB	12	5-9/32
		5-9/32

All dimensions are in inches

## S-Type Hinge

- Steel construction/zinc finish
- Security hinge pin
- Available in aluminum
- Available with offset
- Available with round or square mounting holes



S12-SXFXZNXX

	A	B
8-S	8	3/4
12-S	11-5/8	3/4
12-SLP	11-5/8	3/8

All dimensions are in inches